

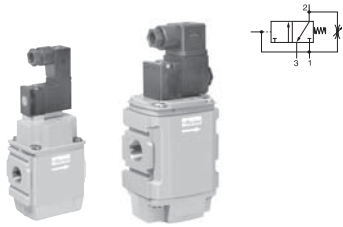
- Modular design with 1/4" or 1/2" integral ports (NPT, BSPP & BSPT)
- The 3-way, 2-position function automatically dumps downstream pressure on the loss of pilot signal
- Adjustable slow start
- Solenoid or air pilot options
- High flow & exhaust capability
- Silencer included

Operating information

Operating pressure (max)	Solenoid	10 bar (150 PSIG)
	Air pilot	17 bar (250 PSIG)
Operating pressure (min)		3 bar (44 PSIG)
Operating temperature (max)	Solenoid	50°C (122°F)
	Air pilot	80°C (176°F)
Flow Capacity*	P31 Series	17 dm ³ /s (36 SCFM)
	P32 Series	48 dm ³ /s (97 SCFM)

*Inlet pressure 6.3 bar (91.3 PSIG), pressure drop 1 bar (14.5 PSIG).
 For technical information see CD

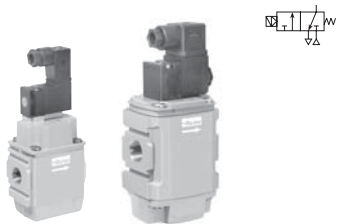
Combined Soft Start / Dump Valves (P31T / P32T)



Port size	Description	Part number
1/4"	120VAC Solenoid & cable plug	P31T*92SGNC1FN
1/4"	24VDC Solenoid & cable plug	P31T*92SGNC2CN
1/4"	External air pilot operated	P31T*92PPN
1/2"	120VAC 30mm coil & cable plug included	P32T*94SCNA3GN
1/2"	24VDC 30mm coil & cable plug included	P32T*94SCNA2CN
1/2"	External air pilot operated	P32T*94PPN

* Includes exhaust silencer. Flow with 6.3 bar (91.3) PSIG inlet and 1 bar (14.5 PSIG) pressure drop.

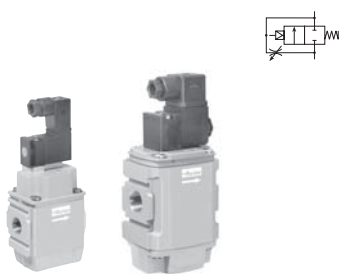
Dump Valves (P31D / P32D)



Port size	Description	Part number
1/4"	120VAC Solenoid & cable plug	P31D*92SGNC1FN
1/4"	24VDC Solenoid & cable plug	P31D*92SGNC2CN
1/4"	External air pilot operated	P31D*92PPN
1/2"	120VAC 30mm coil & cable plug included	P32D*94SCNA3GN
1/2"	24VDC 30mm coil & cable plug included	P32D*94SCNA2CN
1/2"	External air pilot operated	P32D*94PPN

* Includes exhaust silencer.

Soft Starts (P31S / P32S)



Port size	Description	Part number
1/4"	120VAC Solenoid & cable plug	P31S*92SGNC1FN
1/4"	24VDC Solenoid & cable plug	P31S*92SGNC2CN
1/4"	Internal air pilot operated	P31S*92Y0N
1/4"	External air pilot operated	P31S*92PPN
1/2"	120VAC 30mm coil & cable plug included	P32S*94SCNA3GN
1/2"	Internal air pilot operated	P32S*92Y0N
1/2"	24VDC 30mm coil & cable plug included	P32S*94SCNA2CN
1/2"	External air pilot operated	P32S*94PPN

Material specifications

Body	Aluminum
Body cover	Polyester
Seals	Nitrile NBR

Most popular.

Mounting brackets

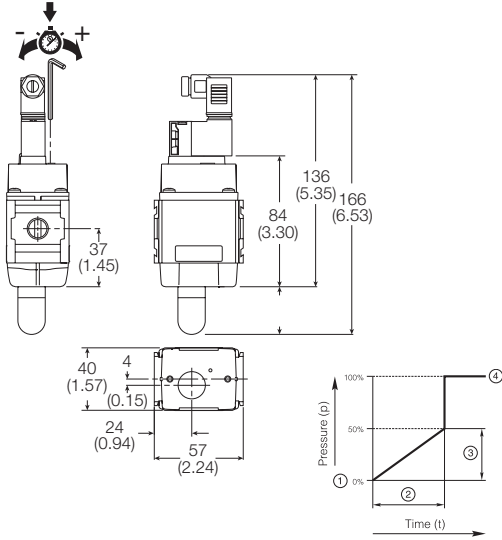
Description	P31 Series
L-bracket mounting kit	P3HKA00ML
Foot bracket mounting kit	P3HKA00MC

Note:

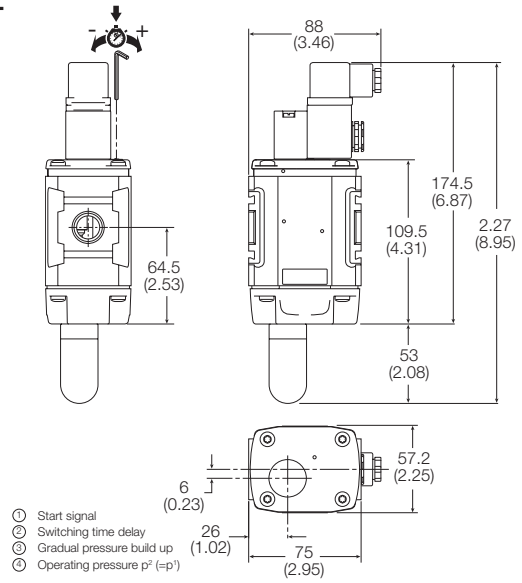
For solenoid operators and cable plugs (connectors) see pages E21 to E22.



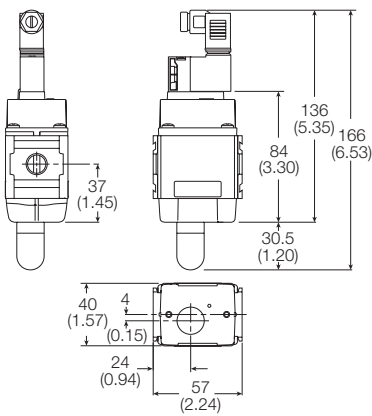
P31T



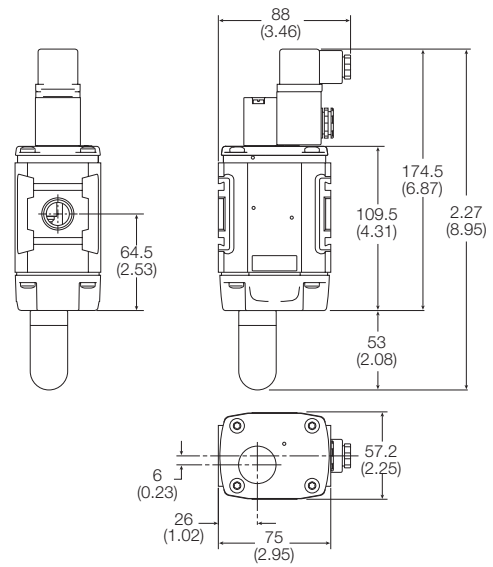
P32T



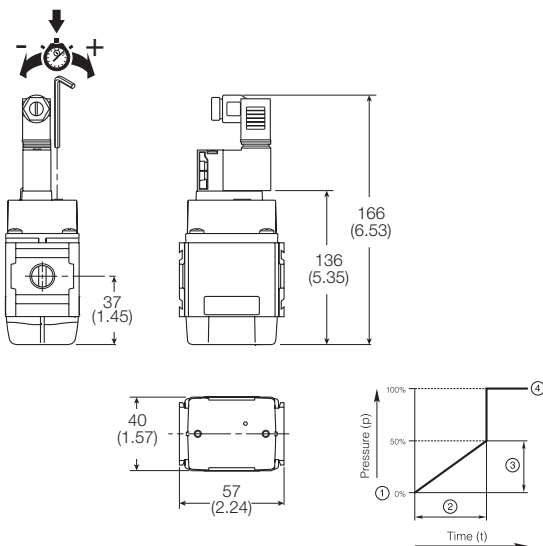
P31D



P32D



P31S



P32S

