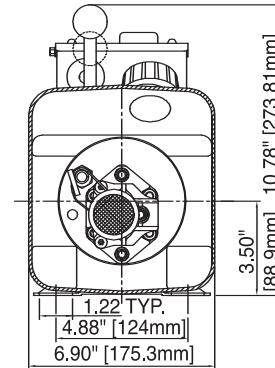
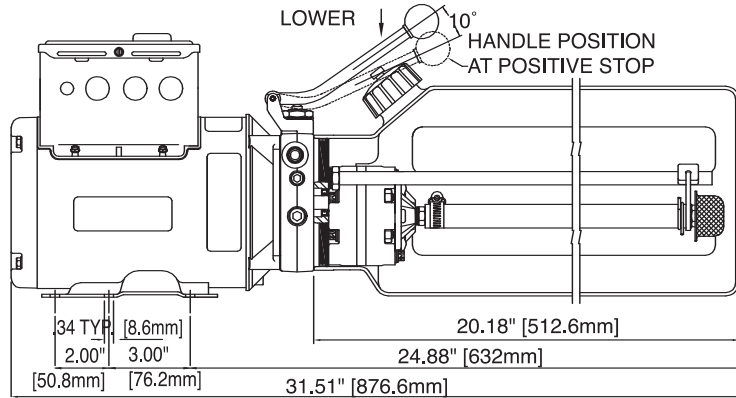
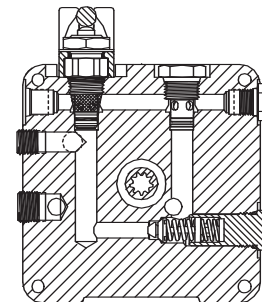


230V AC 1PH AUTO HOIST 2-POST LIFT POWER UP/GRAVITY DOWN

This unit is for raise-hold-lower of the lift, with manual control of the lowering speed. A push-button starts the motor to raise the lift. The unit features a fixed relief valve. Cartridge valves are used, allowing easy field service & interchangeability.



UNIT SPECIFICATION		HYDRAULIC CIRCUIT
Motor	208-230V AC 3450 RPM 1PH 60 Hz.	
Pump	AFC 2.0 CC/Rev. (.122 Cu. In/Rev.)	
Relief	Fixed At 2750 PSI (191 Bar) Nominal	ELECTRICAL CIRCUIT COMMON RAISE N.O.
Endhead	9/16-18 SAE Pressure-Return Port 3/8 NPTF Aux. Return Port (Plugged)	
Tank	4.0 U.S. Gallon Vertical Tank Down Mtg. 700 Cu. In. Useable	
Valving	Manual Release Valve (Cartridge-Style) Check Valve (Cartridge-Style)	
Wiring	230V AC To Motor Momentary "On" Switch	



ENDHEAD SECTION

AC-10AH	ITEM	DESCRIPTION	P/N	QTY.
	1	Wiring Assy.	W-400-230	1
	2	AC Motor 208-230V 1PH	4763-AC	1
	3	M6X1.0 - 35mm SHCS	3009-AA	4
	4	Hi-Collar Lockwasher	3020-AA	4
	5	Coupling	1118-AA	1
	6	Manual Release Assy.	K-100	1
	7	Manual Release Valve	VF-9021	1
	8	Valve Cartridge Check	2507-AA	1
	9	Fixed Relief Valve	RV-19	1
	10	Relief Valve Cap	3729-AA	1
	11	Reservoir O-Ring	G1-1073-48	1
	12	Pump Assy.	KP20	1
	13	Pump Mounting Bolt	1112-AA	2
	14	Inlet Plumbing Kit	K-230	1
	15	Filter	1611-AA	1
	16	Pump O-Ring Kit	K-40	1
	17	Return Tube	5118-AA	1
	18	Breather	260185	1
	19	Reservoir	5141-AC	1
	20	Reservoir Screw	3346-AA	4
	21	Compression Tube Nut	5115-AA	1
	22	Compression Sleeve	5116-AA	1
	23	Plug Pipe 3/8 NPT	1456-AA	1
	24	Plumbing Plug	1170-AA	1
	25	Spring	4475-AA	1
	26	Plug 1/4 NPT	1215-AA	1