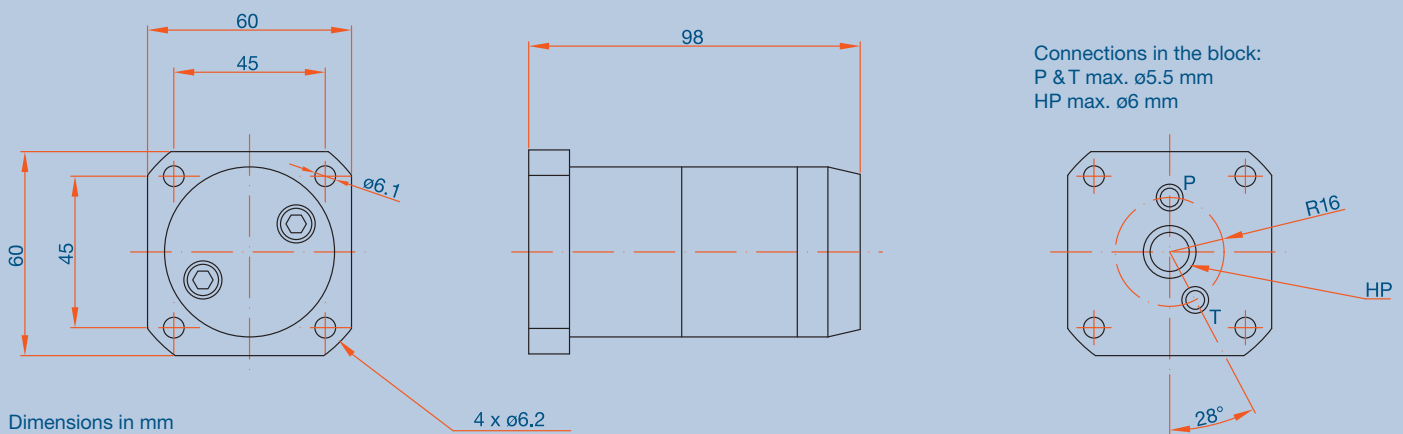


- Flange-On pressure intensifier
- End pressure up to 700 bar / 10,000 psi
- Multiple intensification ratios available
- Reciprocating - delivers continuous flow during pressure build up
- All high pressure valves are integrated including a p.o. check valve

## The MP-F Pressure Intensifier

Ratio (i)	Max. Inlet flow (LPM / GPM)	Outlet Flow Q1 (LPM / GPM)	Outlet Flow Q2 (LPM / GPM)	Max. Supply Pressure (bar / psi)	Max. Output Pressure (bar / psi)
2.0	8.0 / 2.1	0.8 / 0.21	0.2 / 0.08	200 / 2,900	400 / 5,800
3.4	15.0 / 4.0	2.2 / 0.58	0.5 / 0.13	200 / 2,900	680 / 9,860
4.0	14.0 / 3.7	1.8 / 0.47	0.4 / 0.10	175 / 2,538	700 / 10,150
5.0	14.0 / 3.7	1.4 / 0.37	0.3 / 0.08	140 / 2,030	700 / 10,150
7.0	13.0 / 3.4	1.1 / 0.29	0.2 / 0.05	100 / 1,450	700 / 10,150

Weight : 1.4 kg



### Ordering code

Intensification				
2.0	3.4	4.0	5.0	7.0

### Example

MP-F with intensification 3.4: MP-F-3.4

