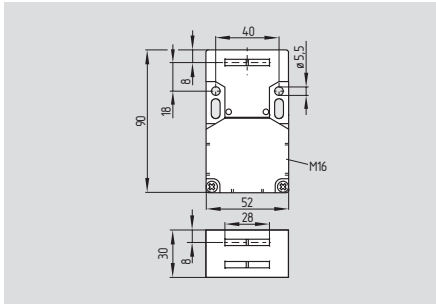


# Safety switch with separate actuator

## AZ 16



- Thermoplastic enclosure
- Long life
- Double insulated □
- 3 cable entries M20
- Large wiring compartment
- High level of contact reliability with low voltages and currents
- Not sensitive to dirty conditions by virtue of patented roller system
- Available with LED
- Slotted holes for adjustment, circular holes for location
- EX version available
- AS-Interface Safety at Work available

### Approvals



### Ordering details

AZ16-①ZV②K-③-④-⑤

No.	Option	Description
①		1 NO / 1 NC
	02	2 NC
	03	3 NC
	12	1 NO / 2 NC
②		Ejection force
	R	Latching force 30 N
③	G24	With LED
④		Cable entry M20
	M16	Cable entry M16
	ST	Connector M12 bottom
	STL	Connector M12 left
	STR	Connector M12 right

## Technical data

Standards: IEC/EN 60947-5-1  
BG-GS-ET-15

Enclosure: glass fiber reinforced thermoplastic, self-extinguishing

Actuator: stainless steel 1.4301

Protection class: IP67 to EN 60529

Contact material: silver

Contact type: change-over contact with double break, type Zb or 2 NC or 3 NC contacts, with galvanically separated contact bridges

Switching principle: ⊖ IEC 60947-5-1 slow action, NC contact with positive break

Connection: screw terminals or connector M12, 4-pole

Cable section: max. 2.5 mm<sup>2</sup> min. 0.25 mm<sup>2</sup> (incl. conductor ferrules)

Cable entry: 3 x M20

$U_{imp}$ : 6 kV

$U_i$ : 500 V

$I_{the}$ : 10 A

Utilization category: AC-15, DC-13

$I_e/U_e$ : 4 A / 230 VAC  
4 A / 24 VDC

Max. fuse rating: 6 A gG D-fuse

Positive break travel: 8 mm

Positive break force: 10 N for each NC contact fitted

Ambient temperature: -30 °C ... +80 °C

Mechanical life: > 1 million operations

Latching force: 30 N for ordering suffix R

Actuating speed: max. 2 m/s

Max. switching frequency: 4,000 operations/h

**Classification:**

Standards: EN ISO 13849-1

$B_{10d}$  (NC): 2,000,000

$B_{10d}$  (NO): 1,000,000

for max. 10% ohmic contact load

Mission time: 20 years

$$MTTF_d = \frac{B_{10d}}{0,1 \times n_{op}} \quad n_{op} = \frac{d_{op} \times h_{op} \times 3600 \text{ s/h}}{t_{cycle}}$$

## Contact variants

### 1 NO / 1 NC



### 2 NC



### 3 NC

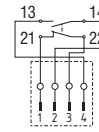


### 1 NO / 2 NC

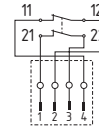


### Connector

#### 1 NO / 1 NC

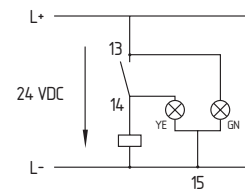


#### 2 NC



## Note

Actuators must be ordered separately.

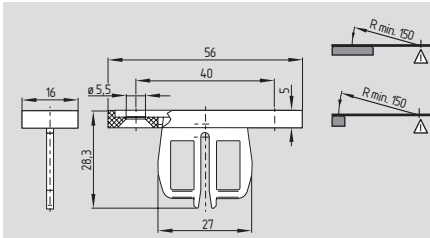


### LED version:

Ordering suffix G24, only available for version with one NO and one NC contact. Protected against incorrect polarity and voltage spikes.

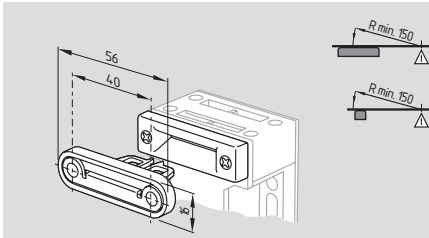
# Safety switch with separate actuator

## System components



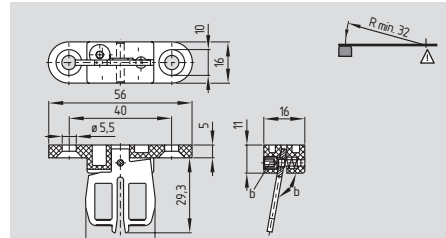
**Straight actuator AZ 15/16-B1**

## System components

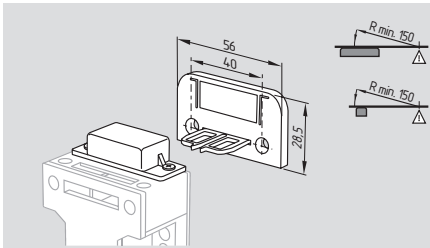


**AZ 15/16-B1-2177 with centering guide**

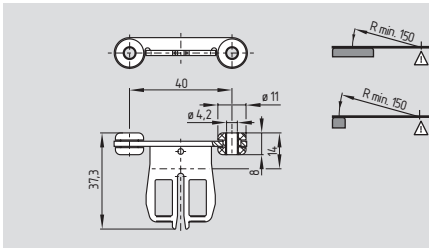
## System components



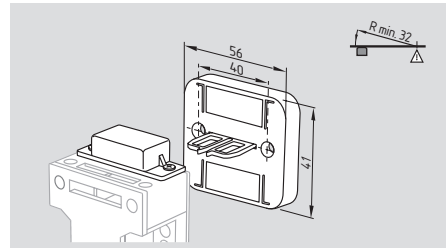
**Flexible actuator AZ 15/16-B3**



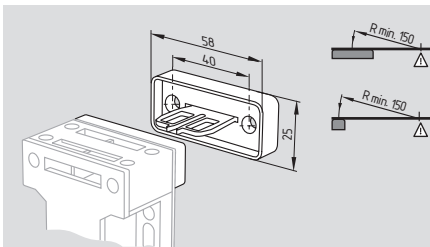
**AZ 15/16-B1-1747 with magnetic latch**



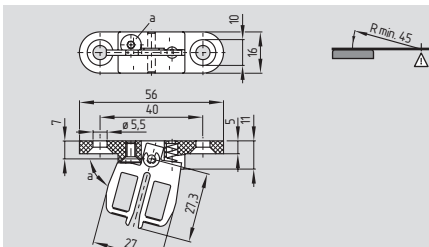
**AZ 15/16-B1-2245 with rubber mounting**



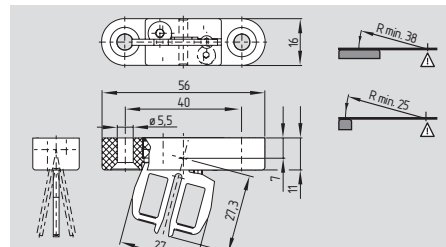
**AZ 15/16-B3-1747 with magnetic latch**



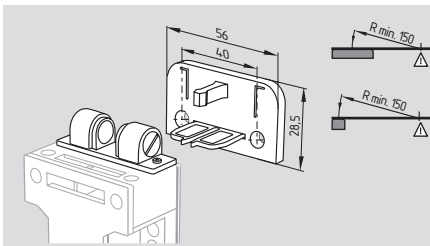
**AZ 15/16-B1-2024 with slot lip-seal**



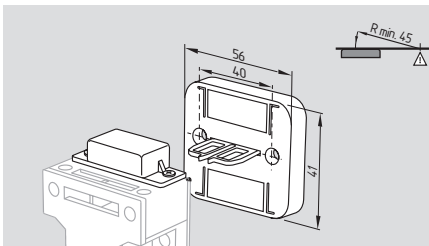
**Flexible actuator AZ 15/16-B2**



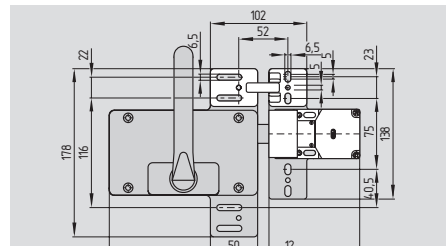
**Flexible actuator AZ 15/16-B6**



**AZ 15/16-B1-2053 with ball latch**



**AZ 15/16-B2-1747 with magnetic latch**



**Actuator AZ 16-ST330**

## Ordering details

Straight actuator  
with magnetic latch  
with slot lip-seal  
with ball latch

**AZ 15/16-B1**  
**AZ 15/16-B1-1747**  
**AZ 15/16-B1-2024**  
**AZ 15/16-B1-2053**

Straight actuator  
with centering guide  
with rubber mounting  
Flexible actuator  
with magnetic latch

**AZ 15/16-B1-2177**  
**AZ 15/16-B1-2245**  
**AZ 15/16-B2**  
**AZ 15/16-B2-1747**

Flexible actuator  
with magnetic latch  
Flexible actuator

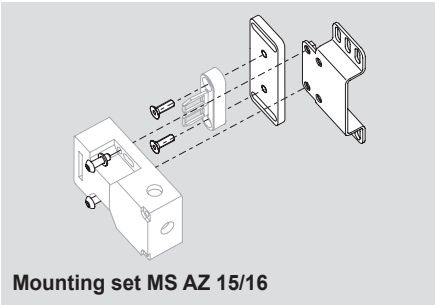
**AZ 15/16-B3**  
**AZ 15/16-B3-1747**  
**AZ 15/16-B6**

Actuator with or without  
emergency handle  
A detailed product description  
can be found on page 1-11

**AZ 16-ST330**

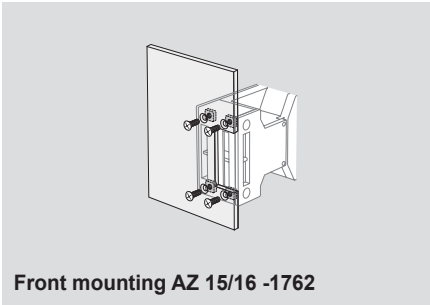
# Safety switch with separate actuator

## System components

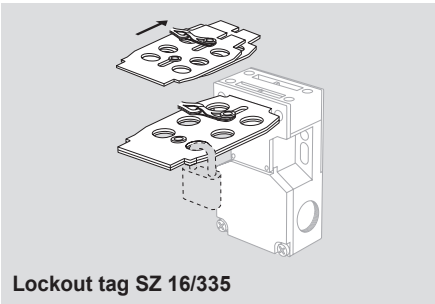


Mounting set MS AZ 15/16

## System components



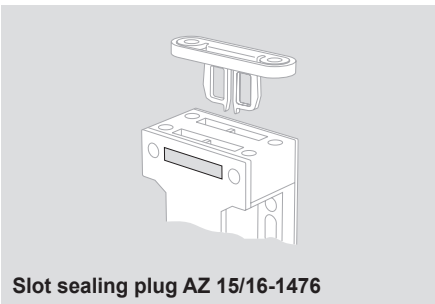
Front mounting AZ 15/16 -1762



Lockout tag SZ 16/335



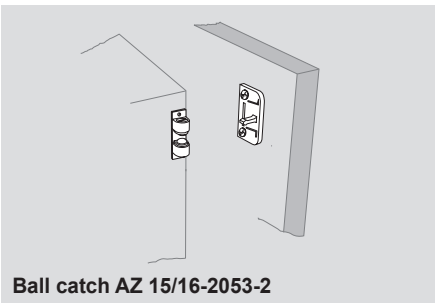
Connector plug



Slot sealing plug AZ 15/16-1476



Tamperproof screws



Ball catch AZ 15/16-2053-2

## Ordering details

Mounting set  
**MS AZ 15/16 P**  
**MS AZ 15/16 R/P**  
 Lockout tag  
**SZ 16/335**  
 Slot sealing plug  
**AZ 15/16-1476**  
 Ball catch  
**AZ 15/16-2053-2**

## Ordering details

Front mounting with M5 nuts **-1762**  
 Connector plug M12, 4-pole  
 without cable **101209950**  
 with cable 5 m **101208523**  
 Connector plug M12, 8-pole  
 with cable 5 m **101209964**  
 Tamperproof screws with  
 unidirectional slots  
 M5 x 12 **101135338**  
 M5 x 16 **101135339**  
 M5 x 20 **101135340**  
 (Quantity 2 pcs)