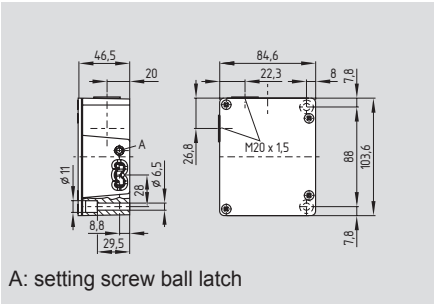


Safety switch with separate actuator

AZ 415



- Metal enclosure
- 2 switches with different actuating functions in a single enclosure
- Long life
- High level of contact reliability with low voltages and currents
- 2 cable entries M20
- Adjustable ball latch to 400 N
- Spring-loaded actuators
- EX version available

Technical data

Standards: IEC/EN 60947-5-1
BG-GS-ET-15

Enclosure: light-alloy diecast, paint finish

Actuator: zinc-plated brass/aluminum

Protection class: IP67 to EN 60529

Contact material: silver

Contact type: change-over contact with double break, type Zb or 2 NC contacts, with galvanically separated contact bridges

Switching principle: \ominus IEC 60947-5-1
slow action,
NC contact with positive break

Connection: screw terminals

Cable section: max. 1.5 mm²,
min. 0.75 mm²
(incl. conductor ferrules)

Cable entry: 2 x M20

U_{imp} : 4 kV

U_i : 250 V

I_{the} : 6 A

Utilization category: AC-15; DC-13
4 A / 230 VAC
4 A / 24 VDC

I_e/U_e :

Max. fuse rating: 6 A gG D-fuse

Positive break travel: 3.8 mm

Positive break force: min. 31 N

Ambient temperature: -25 °C ... +70 °C

Mechanical life: > 1 million operations

Latching force: 30 ... 400 N (adjustable)

Classification:

Standards: EN ISO 13849-1

B_{10d} (NC): 2,000,000

B_{10d} (NO): 1,000,000

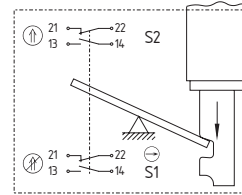
for max. 10% ohmic contact load

Mission time: 20 years

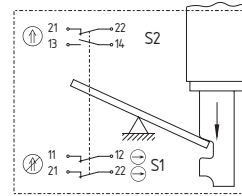
$MTTF_d = \frac{B_{10d}}{0,1 \times n_{op}}$ $n_{op} = \frac{d_{op} \times h_{op} \times 3600 \text{ s/h}}{t_{cycle}}$

Contact variants

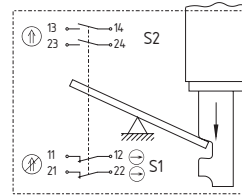
1 NO / 1 NC
1 NO / 1 NC



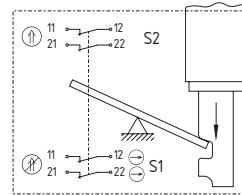
2 NC
1 NO / 1 NC



2 NO
2 NC



2 NC
2 NC



Approvals



Ordering details

AZ 415-①ZPK-②

No.	Option	Description
①	02/11	2NC / 1NO 1NC
	02/02	2NC / 2NC
	02/20	2NC / 2NO
	11/11	1NO 1NC / 1NO 1NC
②	1637	Gold-plated contacts

Note

Actuators must be ordered separately (refer to page 1-24).

Note

Contact symbols shown for the closed condition of the guard device.