

Datasheet - BNS 303-12Z-ST

Safety sensors / BNS 303



- thermoplastic enclosure
- Long life
- no mechanical wear
- Ø M30
- Suitable for food processing industry
- Insensitive to transverse misalignment
- Insensitive to soiling
- Connector M12, 4-pole

(Minor differences between the printed image and the original product may exist!)

Ordering details

Product type description	BNS 303-12Z-ST
Article number	BNS 303-12z-ST
EAN code	

Approval

Approval



BG




USA/CAN

Classification

Standards	EN ISO 13849-1
B _{10d} Opener/Normally open contact (NC/NO)	25.000.000
- notice	at max. 20% contact load
Mission time	20 Years
notice	$MTTF_d = \frac{B_{10d}}{0,1 \times n_{op}}$ $n_{op} = \frac{d_{op} \times h_{op} \times 3600 \text{ s/h}}{t_{cycle}}$

Global Properties

Product name	BNS 303
--------------	---------

Standards	IEC 60947-5-3, BG-GS-ET-14
Compliance with the Directives (Y/N) 	Yes
Materials	
- Material of the housings	Plastic, glass-fibre reinforced thermoplastic
- Material of the nuts	thermoplastic
Coding available (Y/N)	Yes
Monitoring function of downstream devices (Y/N)	No
Prerequisite evaluation unit	
Recommended safety-monitoring module	AES 1102, AES 1112, AES 6112, AES 7112
Recommended actuator	BPS 300 , BPS 303 , BPS 303 SS

Mechanical data

Design of electrical connection	Connector M12
mechanical installation conditions	quasi-flush
Active area	
Ensured switch distance ON	5 mm
Ensured switch distance OFF	15 mm
Type of actuation	Magnet
Direction of motion	head-on with regard to the active surface
restistance to shock	30 g / 11 ms
Resistance to vibration	10 ... 55 Hz, Amplitude 1 mm
Tightening torque for nuts	A/F 36 max. 300 Ncm
Tightening torque for connectors	

Ambient conditions

Ambient temperature	
- Min. environmental temperature	-25 °C
- Max. environmental temperature	+70 °C
Storage and transport temperature	
- Min. Storage and transport temperature	-25 °C
- Max. Storage and transport temperature	+70 °C
Protection class	IP67

Electrical data

Integrated Safety monitoring module available (Y/N)	No
Cross circuit/short circuit recognition possible (Y/N)	Yes
Voltage type	VAC/DC
Switch frequency	max. 5 Hz
Switching voltage	max. 100 VAC/DC
Switching current	max. 400 mA
Switching capacity	max. 10 W

Outputs

Design of control output	Other, Reed kontakts
Number of shutters	1 piece
Number of openers	2 piece
Design of output signal switching device	

Electrical data - Safety outputs

Number of secure semi-conductor outputs	0 piece
Number of secure outputs with contact	2 piece

Electrical data - Diagnostic output

Number of semi-conductor outputs with signaling function	0 piece
Number of outputs with signaling function that already have a contact	1 piece

LED switching conditions display

LED switching conditions display (Y/N)	No
--	----

ATEX

Explosion protection categories for gases	None
Explosion protected category for dusts	None

Dimensions

Dimensions of the sensor	
- Length of sensor	44 mm
- Diameter of sensor	M30

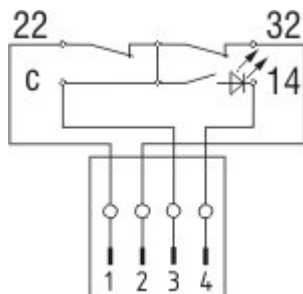
notice

Contact symbols shown for the closed condition of the guard device.
The contact configuration for versions with or without LED is identical.




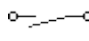
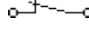
Included in delivery

Actuators must be ordered separately.	
Mounting accessories - Nuts M 30 x 1,5	2 piece

Diagram



Note Diagram

-  positive break NC contact
-  active
-  no active
-  Normally-open contact
-  Normally-closed contact

Ordering code

BNS 303-(1)Z(2)-(3)-(4)

(1)	
11	1 Normally open contact (NO) / 1 Opener (NC)
12	1 Normally open contact (NO) / 2 Opener (NC)
02	- / 2 Opener (NC)
03	- / 3 Opener (NC)
(2)	
<i>without</i>	without LED switching conditions display
G	with LED switching conditions display
(3)	
<i>without</i>	with cable
ST	with connector M12
(4)	
2187	Individual contact outlet
2211	higher switching distance

Documents

Operating instructions and Declaration of conformity (it) 403 kB, 14.03.2014

Code: mrl_bns303_it

Operating instructions and Declaration of conformity (nl) 410 kB, 25.03.2014

Code: mrl_bns303_nl

Operating instructions and Declaration of conformity (pt) 432 kB, 05.07.2012

Code: mrl_bns303_pt

Operating instructions and Declaration of conformity (jp) 531 kB, 14.03.2014

Code: mrl_bns303_jp

Operating instructions and Declaration of conformity (fr) 410 kB, 08.04.2014

Code: mrl_bns303_fr

Operating instructions and Declaration of conformity (es) 410 kB, 31.03.2014

Code: mrl_bns303_es

Operating instructions and Declaration of conformity (de) 411 kB, 24.02.2014

Code: mrl_bns303_de

Operating instructions and Declaration of conformity (en) 408 kB, 24.02.2014

Code: mrl_bns303_en

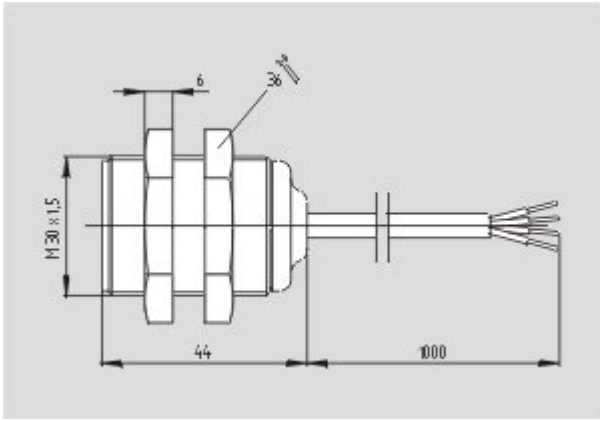
Operating instructions and Declaration of conformity (pl) 438 kB, 31.03.2014

Code: mrl_bns303_pl

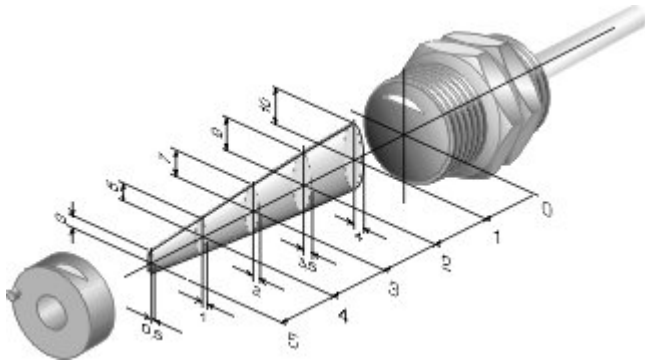
Operating instructions and Declaration of conformity (da) 411 kB, 23.08.2012

Code: mrl_bns303_da

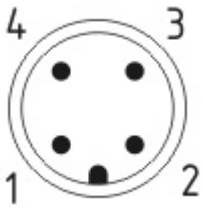
Images



Dimensional drawing (basic component)



Characteristic curve



Contact arrangement

System components

Actuator



101113734 - BPS 300



101117076 - BPS 303

- Suitable for food processing industry

101141156 - BPS 303 SS

- Suitable for food processing industry



Connector



A-K4M12

- Pre-wired cable
- 4-pole

Mounting accessories



101068520 - MOUNTING CLAMP H 30

- For a smooth fitting of the proximity switches with cylindric shape \varnothing 30 mm or thread M30

K.A. Schmersal GmbH & Co. KG, Mödinghofe 30, D-42279 Wuppertal

The data and values have been checked thoroughly. Technical modifications and errors excepted.

Generiert am 22.08.2014 - 05:04:25h Kasbase 2.2.18.F DBI

