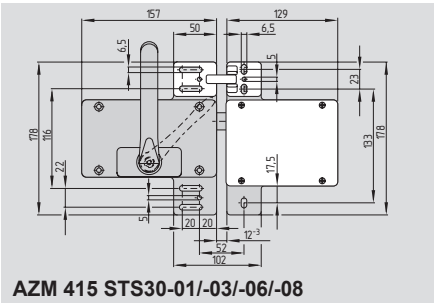
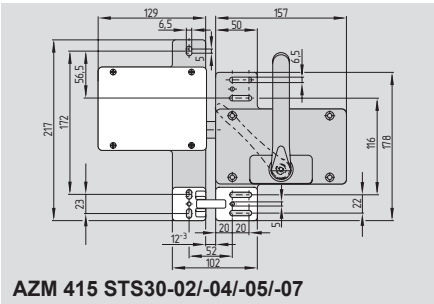
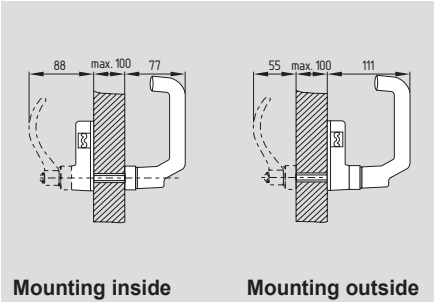
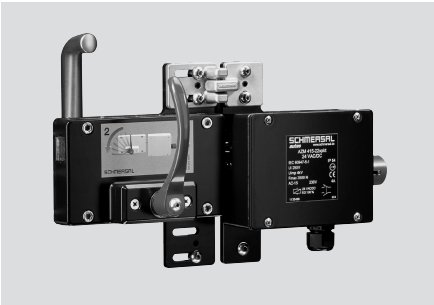


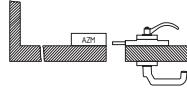
Solenoid interlocks

AZM 415-ST30-...

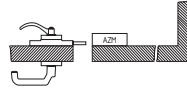


System variants

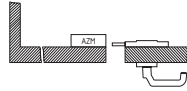
AZM 415-ST30-01



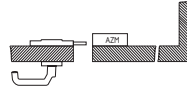
AZM 415-ST30-02



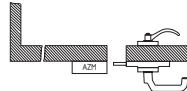
AZM 415-ST30-03



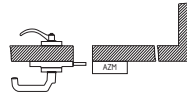
AZM 415-ST30-04



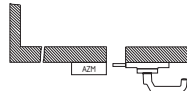
AZM 415-ST30-05



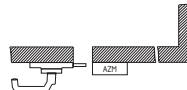
AZM 415-ST30-06



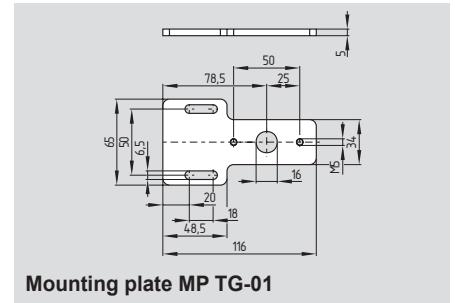
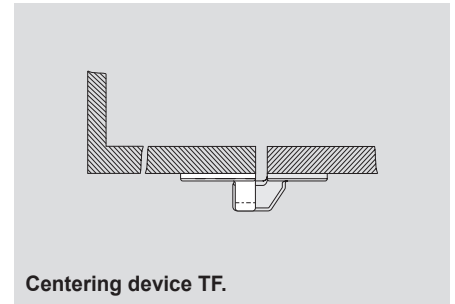
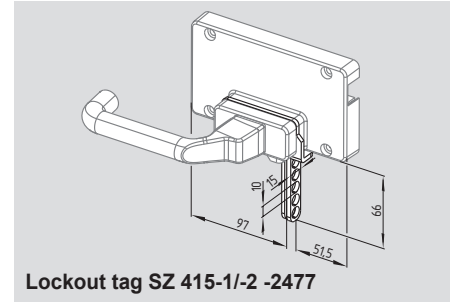
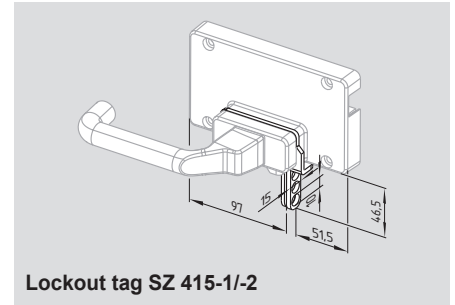
AZM 415-ST30-07



AZM 415-ST30-08



System components



Ordering details

Included in delivery

- Mounting plate for safety switch
- Actuator incl. mounting plate
- Emergency handle (for variant -05 and -06 incl. mounting plate)

Ordering example

To order, first choose the desired safety switch and then the door handle system:
for example AZM 415-02/02ZPK F-230VAC
and AZM 415-ST30-07

Ordering details

Mounting inside

with emergency handle

door hinge right **AZM 415-ST30-01**

door hinge left **AZM 415-ST30-02**

without emergency handle

door hinge right **AZM 415-ST30-03**

door hinge left **AZM 415-ST30-04**

Mounting outside

with emergency handle

door hinge right **AZM 415-ST30-05**

door hinge left **AZM 415-ST30-06**

without emergency handle

door hinge right **AZM 415-ST30-07**

door hinge left **AZM 415-ST30-08**

Ordering details

Lockout tag

for ...STS30-01/-03/-06/-08 **SZ 415-1**

for ...STS30-02/-04/-05/-07 **SZ 415-2**

Lockout tag with 5 circular holes

for ...STS30-01/-03/-06/-08 **SZ 415-1-2477**

for ...STS30-02/-04/-05/-07 **SZ 415-2-2477**

Centering device

Mounting outside **TFA-010**

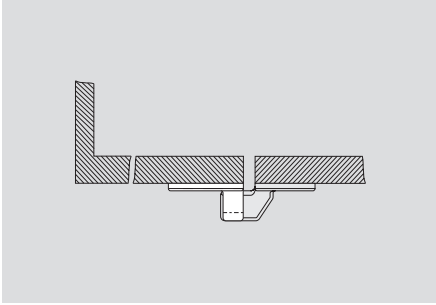
Mounting inside **TFI-010**

(A detailed product description can be found on page 1-52)

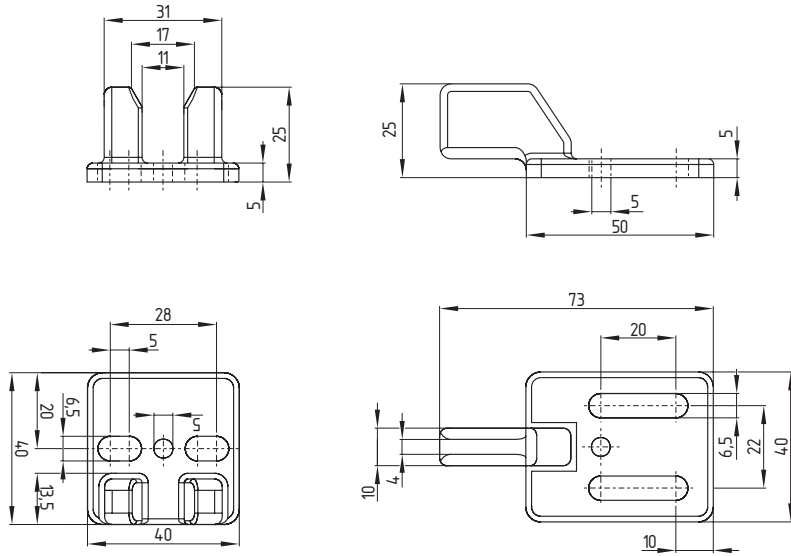
Mounting plate **MP TG-01**

Solenoid interlocks

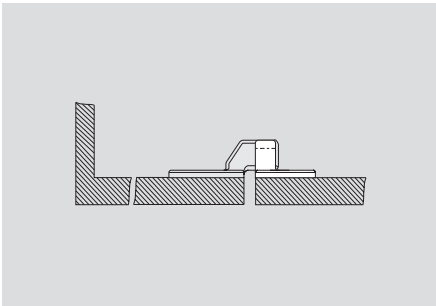
Centering device TFA



- **Mounting outside**
- Self-centering of the guard door
- End stop
- Suitable for all types of actuators
- Actuator can be easily inserted or extracted



Centering device TFI



- **Mounting inside**
- Self-centering of the guard door
- End stop
- Suitable for all types of actuators
- Actuator can be easily inserted or extracted

