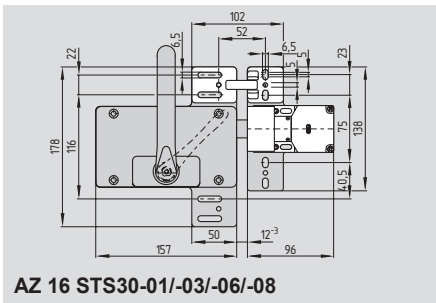
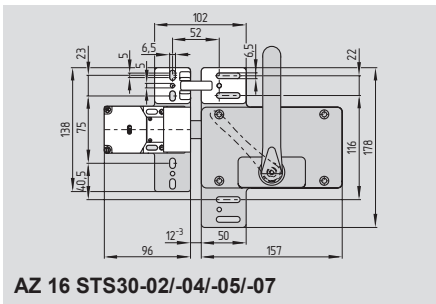
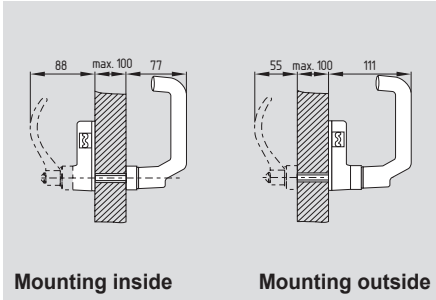
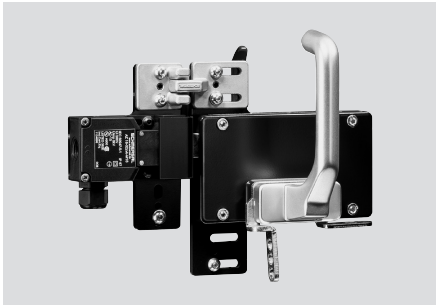


Safety switch with separate actuator

AZ 16-ST30-...



Ordering details

Included in delivery

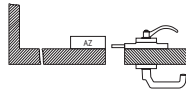
- Mounting plate for safety switch
- Actuator incl. mounting plate
- Emergency handle (for variant -05 and -06 incl. mounting plate)

Ordering example

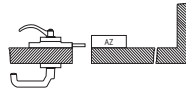
To order, first choose the desired safety switch and then the door handle system:
for example AZ 16-02ZVRK-ST and
AZ 16-ST30-01.

System variants

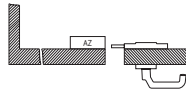
AZ 16-ST30-01



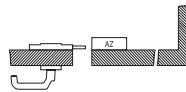
AZ 16-ST30-02



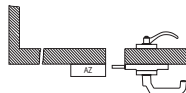
AZ 16-ST30-03



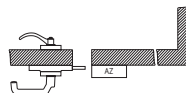
AZ 16-ST30-04



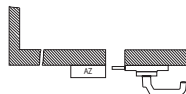
AZ 16-ST30-05



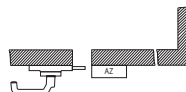
AZ 16-ST30-06



AZ 16-ST30-07



AZ 16-ST30-08



The drawings are always shown with a view to the switch.

Ordering details

Mounting inside

with emergency handle

door hinge right

AZ 16-ST30-01

door hinge left

AZ 16-ST30-02

without emergency handle

door hinge right

AZ 16-ST30-03

door hinge left

AZ 16-ST30-04

Mounting outside

with emergency handle

door hinge right

AZ 16-ST30-05

door hinge left

AZ 16-ST30-06

without emergency handle

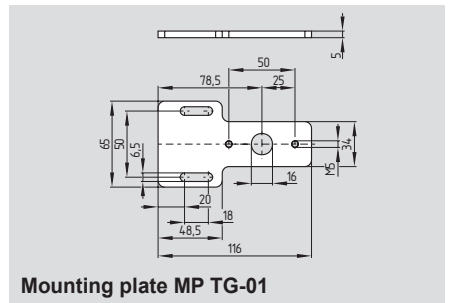
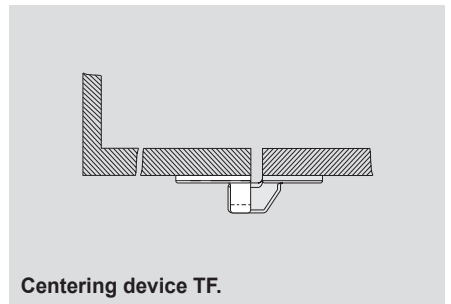
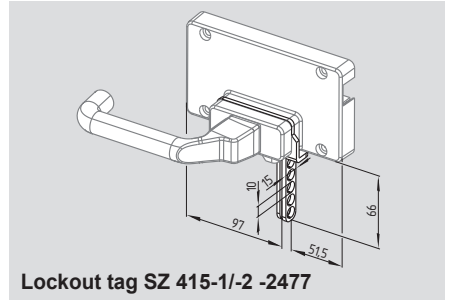
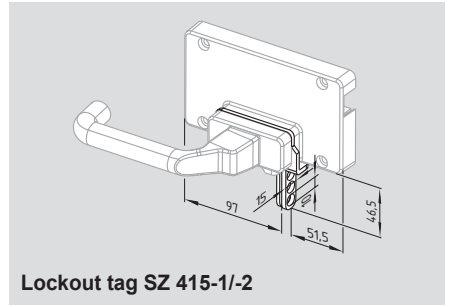
door hinge right

AZ 16-ST30-07

door hinge left

AZ 16-ST30-08

System components



Ordering details

Lockout tag

for ...STS30-01/-03/-06/-08

SZ 415-1

for ...STS30-02/-04/-05/-07

SZ 415-2

Lockout tag with 5 circular holes

for ...STS30-01/-03/-06/-08

SZ 415-1-2477

for ...STS30-02/-04/-05/-07

SZ 415-2-2477

Centering device only for AZ 16-ST30... and AZM 161-ST30...:

Mounting outside

TFA-020

Mounting inside

TFI-020

(Product information see page 1-52)

Mounting plate

MP TG-01