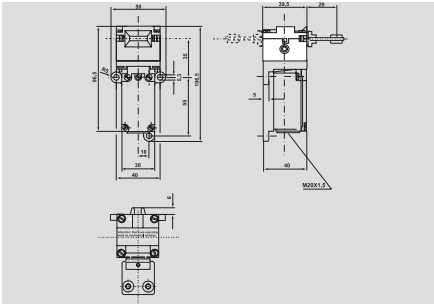


Safety switch with separate actuator

TZG



- Thermoplastic enclosure
- 2 contacts
- Long life
- High level of contact reliability with low voltages and currents
- Mounting details to EN 50041
- Actuator heads can be repositioned in steps 4 x 90°
- Can be mounted on a flat surface
- 1 cable entry M20
- Funnel shaped key entry
- Padlockable actuator key

Technical data

Standards: IEC/EN 60947-5-1
BG-GS-ET-15

Enclosure: glass fiber reinforced thermoplastic

Actuator: galvanized steel

Protection class: IP67

Contact material: silver

Contact type: double pole, double break
with electrically separated contact bridges

Switching principle: ⊖ IEC 60947-5-1

slow action,
NC contact with positive break

Connection: screw terminals

Cable section: max. 2.5 mm²,
min. 0.75 mm²
(incl. conductor ferrules)

Cable entry: M20

U_{imp}: 4 kV

U_i: 250 V

I_{thc}: 10 A

Utilization category: AC-15; DC-13

I_e/U_e: 4 A / 230 VAC
4 A / 24 VDC

Max. fuse rating: 10 A gG D-fuse

Positive break travel: 12.5 mm

Positive break force: 20 N

Ambient temperature: -13 deg F ... +158 deg F

Mechanical life: > 1 million operations

Latching force: 20 N

Actuating speed: max. 0.2 m/s

Max. switching frequency: 1,200 operations/h

Classification:

Standards: EN ISO 13849-1

B_{10d} (NC): 2,000,000

B_{10d} (NO): 1,000,000

for max. 10% ohmic contact load

Mission time: 20 years

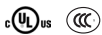
$$MTTF_d = \frac{B_{10d}}{0,1 \times n_{op}} \quad n_{op} = \frac{d_{op} \times h_{op} \times 3600 \text{ s/h}}{t_{cycle}}$$

Contact variants

1 NO / 1 NC

2 NC

Approvals



Ordering details

TZG01-①

No.	Option	Description
①	103	1 NO & 1 NC
	110	2 NC

Note

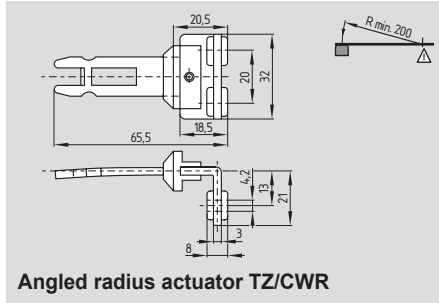
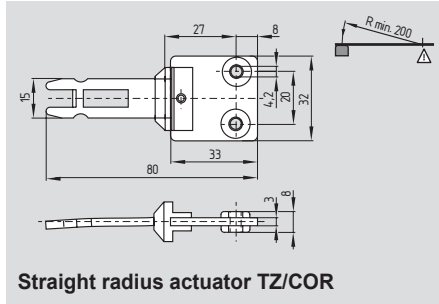
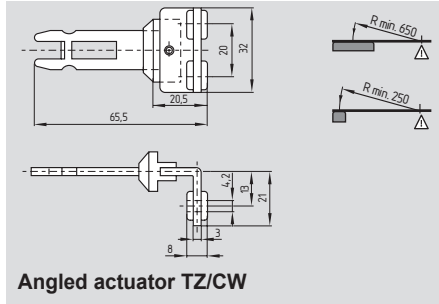
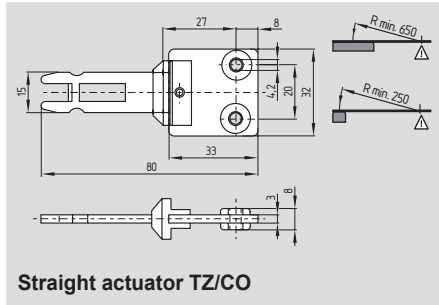
Actuators must be ordered separately.

Note

By turning the head in 4 x 90° steps, 4 actuating planes are possible. A Torx T15 screwdriver is needed for this purpose.

Solenoid interlocks

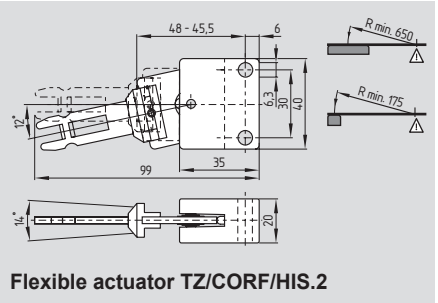
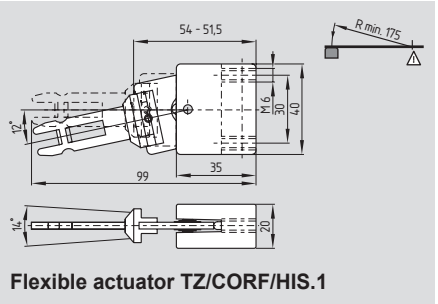
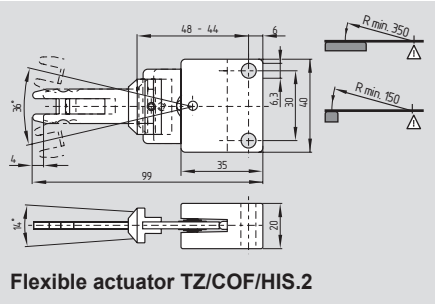
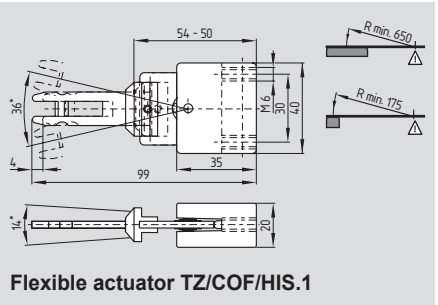
System components



Ordering details

Straight actuator **TZ/CO**
 Angled actuator **TZ/CW**
 Straight radius actuator **TZ/COR**
 Angled radius actuator **TZ/CWR**

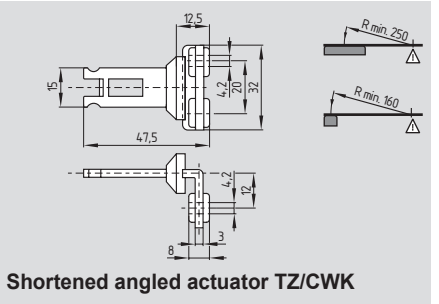
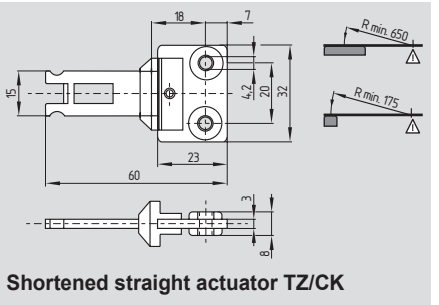
System components



Ordering details

Flexible actuator **TZ/COF/HIS.1**
 Flexible actuator **TZ/COF/HIS.2**
 Flexible actuator **TZ/CORF/HIS.1**
 Flexible actuator **TZ/CORF/HIS.2**

System components



Ordering details

Shortened straight actuator **TZ/CK**
 Shortened angled actuator **TZ/CWK**
Centering device
 Mounting outside **TFA-020**
 Mounting inside **TFI-020**
 (Product information see page 1-52)