



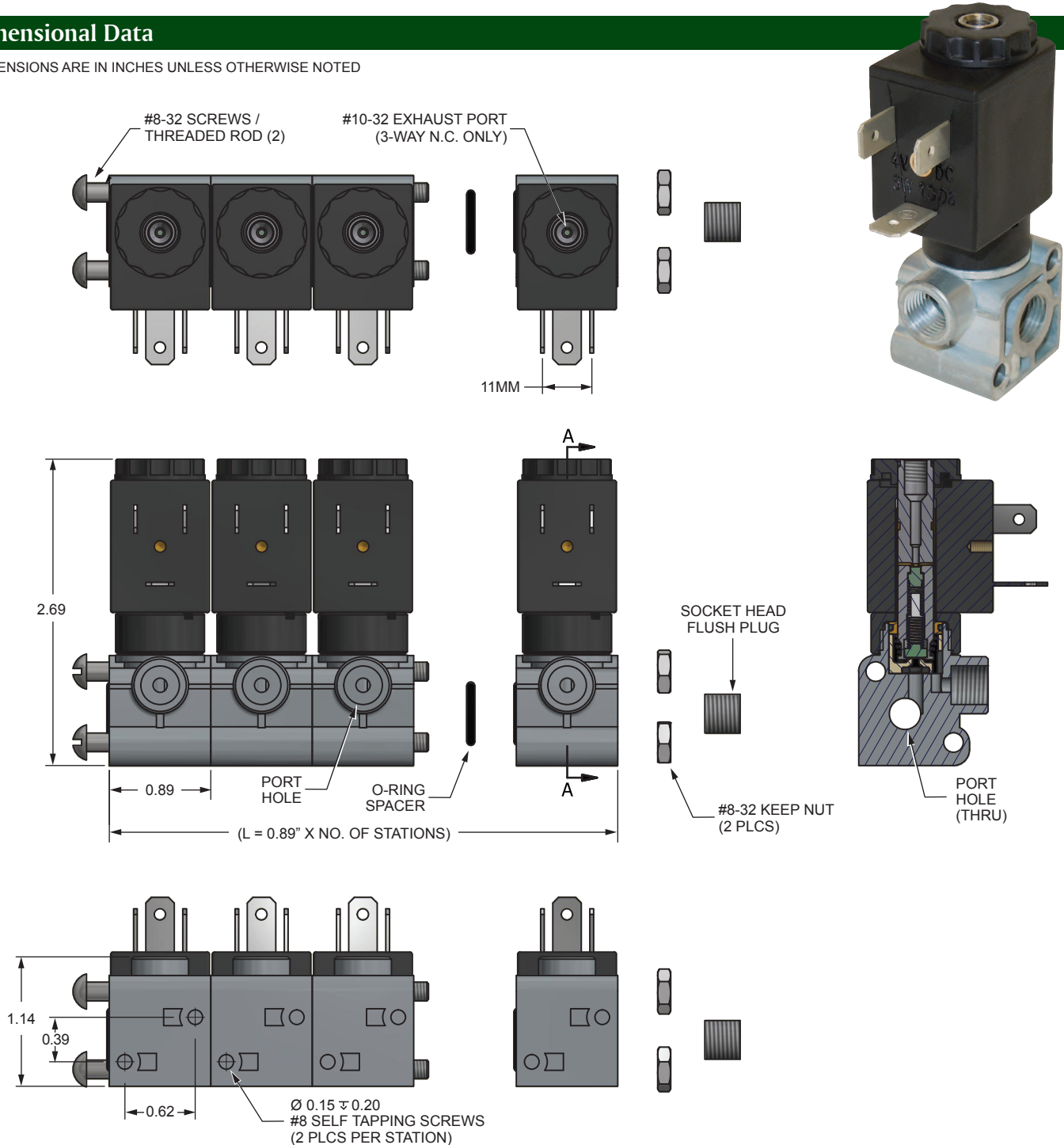
# Series 3922

Direct Acting  
Stackable

The Spartan Scientific Series 3922 is a 2-Way & 3-Way, 2-Position Normally Closed solenoid valve for control of air, caustics, inert gases, oil, and water. Constructed from highest grade materials, the Series 3922 features a completely glass filled nylon encapsulated coil, stainless steel plunger and stop, and spring compensated plunger seals for long trouble free service. Key to the 3922 is a stackable body giving the customer the ability to build manifolds as needed using one inlet and many outlets. The 3922 is available in orifice sizes from 0.6 (0.02 Cv) to 2.4mm (0.24 Cv). Seat materials are EPDM, FKM and NBR standard. Coils are class F 100% duty and incorporate the DIN 43650 industrial quick connect, DIN 43650 Female or flying leads. The valve body is made from robust zinc-aluminum die casting and comes standard with 1/8" NPT connections. The body is designed to incorporate our interchangeable "basket" style orifice simplifying valve assembly and re-fit. The Series 3922 is a long life, low cost solution to many automation applications.

## Dimensional Data

ALL DIMENSIONS ARE IN INCHES UNLESS OTHERWISE NOTED



DIRECT  
ACTING



# Series 3922

Direct Acting  
Stackable

## Technical Data

**Function:** 2-Way, 2-Position; Direct Acting; Normally Closed  
3-Way, 2-Position; Direct Acting; Normally Closed

**Port Size:** 1/8" NPT

**Orifice Sizes / Flow Factor:**  
0.6mm / 0.02 Cv  
0.8mm / 0.03 Cv  
1.0mm / 0.05 Cv  
1.2mm / 0.06 Cv  
1.5mm / 0.08 Cv  
2.0mm / 0.17 Cv  
2.4mm / 0.24 Cv

**Pressure Range:** Vacuum to 200 psi (depending on orifice size and function)

**Temp. Range:** Fluid Max.: +90°C  
Dry Range: Ambient +10° to +50°C

**Response Time:** 12 to 14ms Complete Cycle

**Media:** Air, caustics, inert gases, oil, water  
(contact factory for compatibilities)

**Environment Protection:** IP65 (IEC 144), NEMA 4  
Dust-tight and water resistant (with electrical connector)

**Mounting:** #8-32 x 0.250" (2) not provided

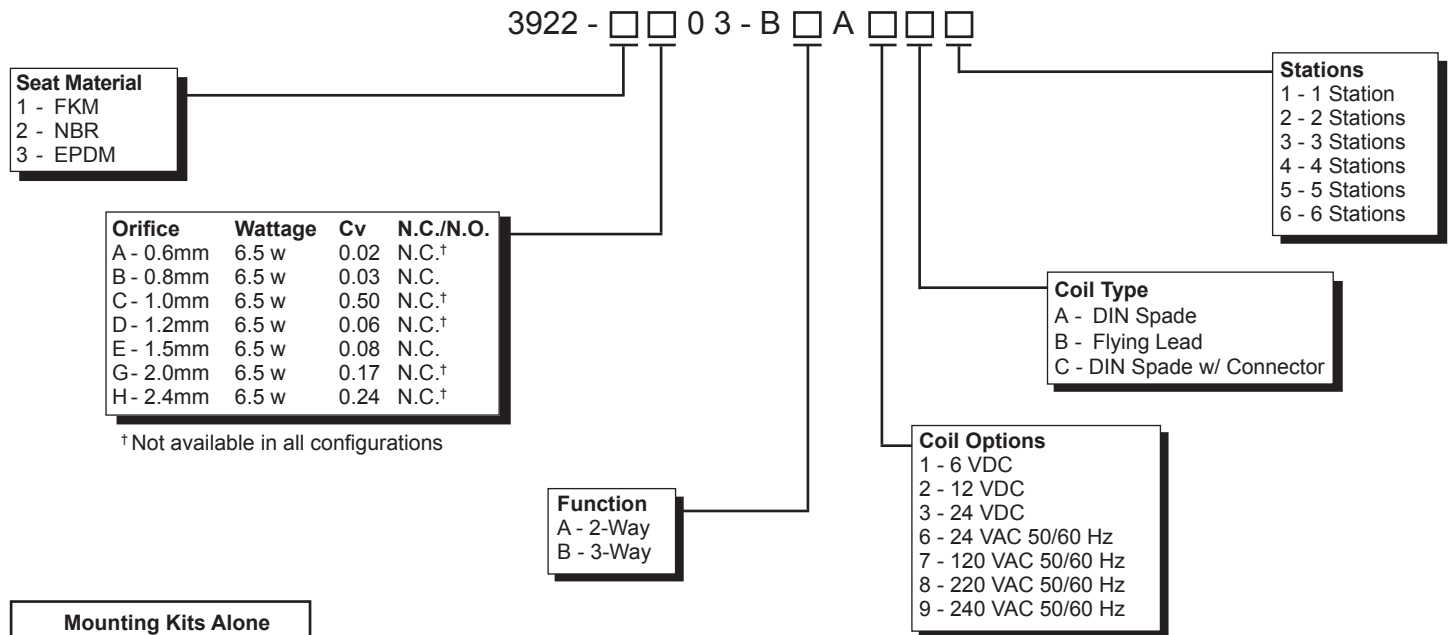
**Wetted Materials:** Elastomers: EPDM, FKM, NBR  
(other materials available on request)  
Operator: Brass  
(other materials available on request)  
Shading Ring: Copper (AC Only)  
Springs: 300 Series Stainless Steel  
Valve Body: Die Cast Aluminum

**Coil Data:** Duty Cycle: Continuous (within specifications)  
Encapsulation: Glass-Filled Nylon  
Insulation: Class F  
Power Rating: 6.5 Watt VDC, 8.5VA  
(others available on request)  
Voltage: 6, 12, 24 VDC  
24, 120, 220, 240 VAC 50/60 Hz  
Voltage Tolerance: +/- 10% Nominal  
Winding: Class H

**Connections:** Spades: Terminals AMP 6.3x0.8 width 11mm  
(Available in DIN 43650 Form "A" / ISO 4400,  
N175301-803:2006 for 3.0mm orifice or larger)  
Flying Lead: PVC 22 AWG, Multi-Strand Copper Wire,  
300V, 12" minimum length

**Packaged Weight:** 0.22 lbs.

## How To Order



**Mounting Kits Alone**

Description	Model Number
2 Station	3900-02-00
3 Station	3900-03-00
4 Station	3900-04-00
5 Station	3900-05-00
6 Station	3900-06-00

Mounting kit contains:  
Two mounting screws,  
two locking nuts and o-rings.

Order Example: 3922-0A03-AAA1A3  
FKM, 0.6mm orifice, N.C., 2-Way,  
6 VDC, DIN Spade, 3 Station.

DIRECT ACTING