



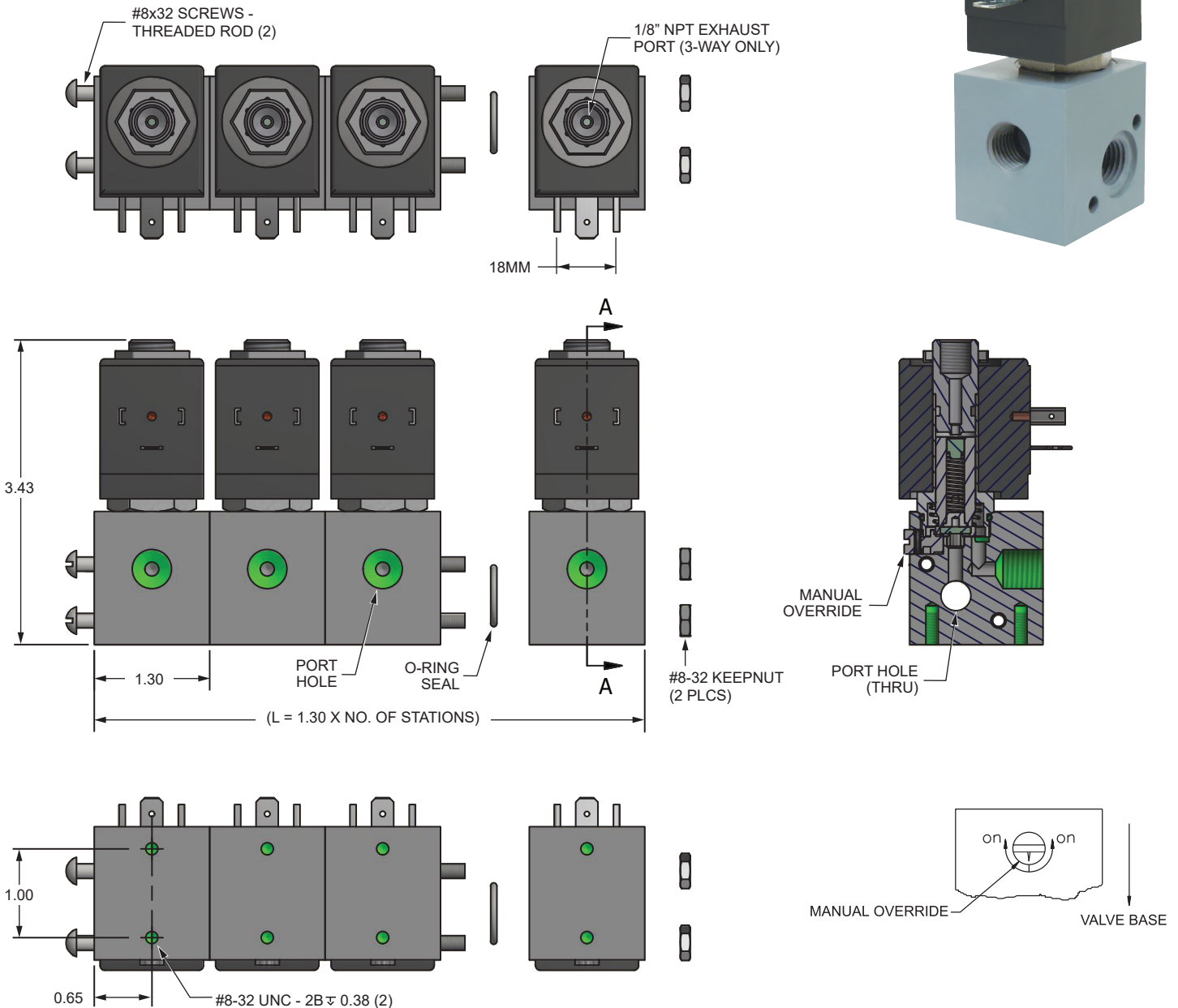
# Series 4290

Direct Acting  
Stackable

The Spartan Scientific Series 4290 is a 2-Way & 3-Way, 2-Position Normally Closed or Normally Open solenoid valve for electrical control of air, caustics, inert gases, oil, and water. Constructed from highest grade materials, the Series 4290 features a completely glass-filled nylon encapsulated coil, stainless steel plunger and stop, and spring compensated plunger seals for long trouble-free service. Key to the Series 4290 is a stackable body giving the customer the ability to build manifolds as needed using one inlet and many outlets. The Series 4290 is available in orifice sizes from 0.8mm to 3.0mm. Seat materials are EPDM, FKM and NBR standard. The class F coils are 100% continuous duty, all standard voltages, and are available in DIN Style "A" EN175301-803 (Formerly DIN 43650) or flying leads. The valve body is made from robust CPVC and comes standard with 1/4" NPT connections. The Series 4290 is a long life, low cost solution to many automation applications.

## Dimensional Data

ALL DIMENSIONS ARE IN INCHES UNLESS OTHERWISE NOTED





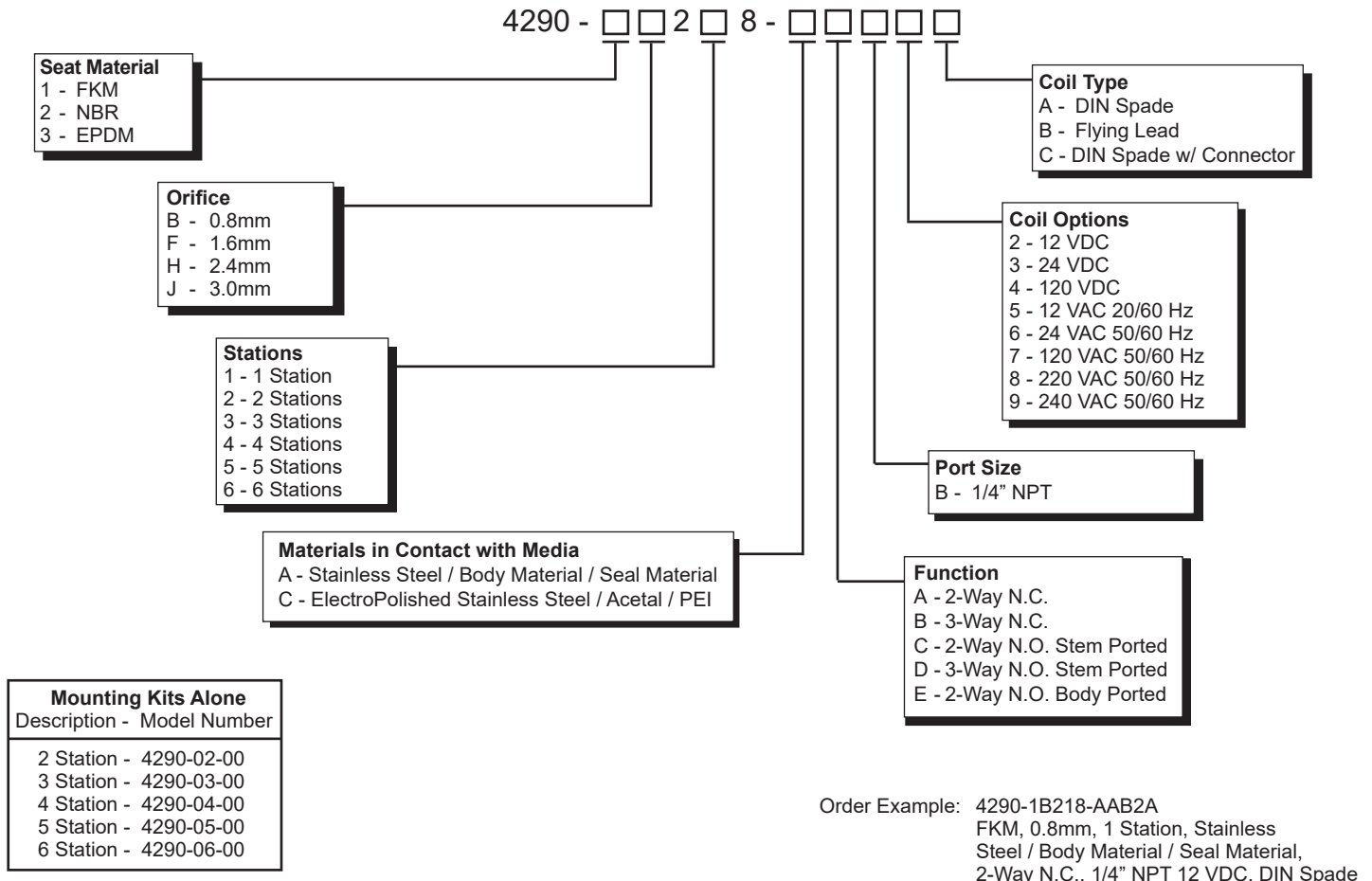
# Series 4290

Direct Acting  
Stackable

## Technical Data

<b>Function:</b>	2-Way, 2-Position; Direct Acting; Normally Closed or Normally Open 3-Way, 2-Position; Direct Acting; Normally Closed or Normally Open	<b>Mounting:</b>	#8-32 x 0.375" DP tapped holes (2)
<b>Port Size:</b>	1/4" NPT	<b>Wetted Materials:</b>	Elastomers: EPDM, FKM, NBR (other materials available on request) Operator: 300 and 400 Series Stainless Steel Shading Ring: Copper (AC Only) Springs: 300 Series Stainless Steel Valve Body: CPVC
<b>Orifice Sizes / Flow Factor:</b>	0.8mm / 0.03 Cv 1.6mm / 0.12 Cv 2.4mm / 0.24 Cv 3.0mm / 0.31 Cv	<b>Coil Data:</b>	Duty Cycle: Continuous (within specifications) Encapsulation: Glass-Filled Nylon Insulation: Class F Power Rating: 10 Watt VDC, 11.5 VA VAC (others available on request) Voltage: 12, 24, 120 VDC 12, 24, 120, 220, 240 VAC 50/60 Hz Voltage Tolerance: +/- 10% Nominal Winding: Class H
<b>Pressure Range:</b>	Vacuum to 250 psi (depending on orifice size and function)	<b>Connections:</b>	Spades: Accordance with DIN Style "A" EN175301-803 Flying Lead: PVC 22 AWG, Multi-Strand Copper Wire, 300V, 12" minimum length
<b>Temp. Range:</b>	Fluid Max.: +60°C Dry Range: Ambient +10° to +50°C	<b>Packaged Weight:</b>	0.22 lbs.
<b>Response Time:</b>	14 to 16ms Complete Cycle		
<b>Manual Override:</b>	Turn-lock (Normally Closed only)		
<b>Media:</b>	Air, caustics, inert gases, oil, water (contact factory for compatibilities)		
<b>Environment Protection:</b>	IP65 (IEC 144), NEMA 4 Dust-tight and water resistant (with electrical connector)		

## How To Order



Mounting kit contains: Two mounting screws, two locking nuts and o-rings.