



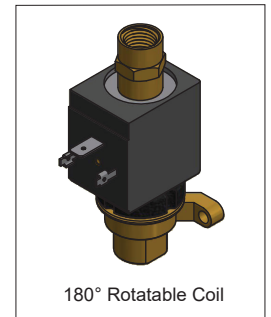
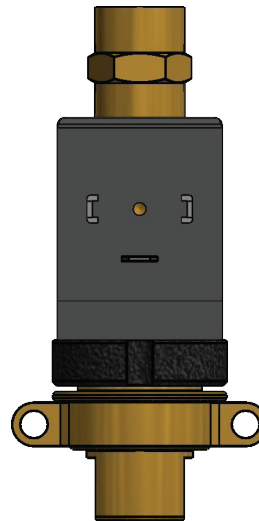
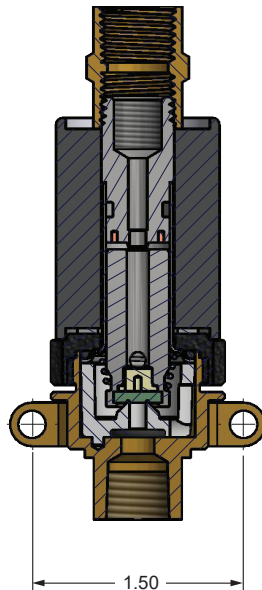
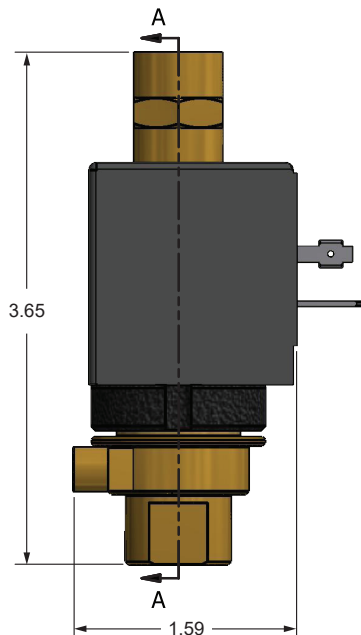
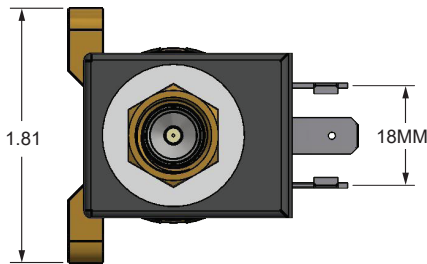
# Series 6100

Direct Acting  
2-Way

The Spartan Scientific Series 6100 is a 2-Way, 2-Position direct acting In-Line style solenoid valve utilizing a long-life spring compensated solenoid poppet at the heart of an all stainless steel solenoid operator. The standard body material is brass and is available in 1/8" and 1/4" NPT. With orifice sizes ranging from 0.8mm up to 3.0mm standard, the 6100 valve can handle a wide variety of flow rates as well as pressure ranges from 0 to 600PSI in various versions. The Series 6100 employs use of the orifice basket design unique to Spartan Scientific valves which allows for quick change-over for production of any orifice size as standard. This aids in versatility of valve manufacture and increases valve availability. The brass valve body is of robust design and is compatible with liquids and gases at lowest possible cost. All common voltages are offered as well as electrical connection styles which include a DIN Style "A" EN175301-803 (Formerly DIN 43650) spaded coil as well as flying lead styles. Coils are sealed to IP 65.

## Dimensional Data

ALL DIMENSIONS ARE IN INCHES UNLESS OTHERWISE NOTED



FUNCTION	ORIFICE SIZE / VOLTAGE							
	0.8mm		1.6mm		2.4mm		3.0mm	
	AC	DC	AC	DC	AC	DC	AC	DC
2/2 NC	600	600	600	480	255	200	150	120

MAX. PRESSURE RANGE (psi)

DIRECT ACTING



# Series 6100

Direct Acting  
2-Way

## Technical Data

**Function:** 2-Way, 2-Position; Direct Acting; Normally Closed

**Port Sizes:** 1/8" NPT  
1/4" NPT

**Orifice Sizes / Flow Factor:** 0.8mm / 0.03 Cv  
1.6mm / 0.08 Cv  
2.4mm / 0.24 Cv  
3.0mm / 0.31 Cv

**Pressure Range:** Vacuum to 600 psi (depending on orifice size and function)

**Temp. Range:** Fluid max.: +90°C  
Dry Range: Ambient +10° to +50°C

**Response Time:** 12 to 16 ms Complete Cycle

**Media:** Air, fuels, inert gases, oil, water  
(contact factory for compatibilities)

**Manual Override:** Push non-locking

**Environment Protection:** IP65 (IEC 144), NEMA 4  
Dust-tight and water resistant (with electrical connector)

**Mounting:** Ø0.195 holes for #8 screws (2); not included

**Wetted Materials:** Elastomers: EPDM, FKM, NBR  
Operator: 300 and 400 Series Stainless Steel  
Shading Ring: Copper (AC Only)  
Springs: 300 Series Stainless Steel  
Valve Body: Brass

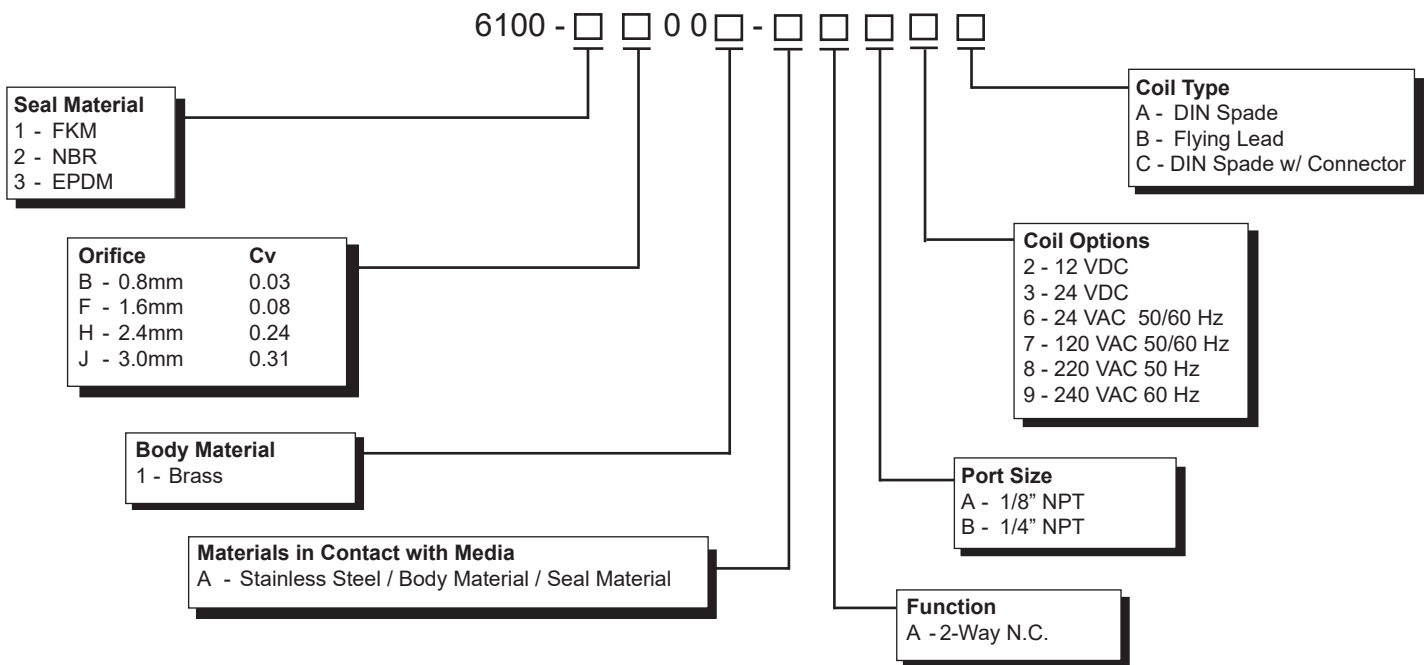
**Coil Data:** Duty Cycle: Continuous (within specifications)  
Encapsulation: Glass-Filled Nylon  
Insulation: Class F  
Power Rating: 10 Watts VDC, 11.5 VA VAC  
(others available on request)  
Voltage: 12, 24 VDC  
24, 120, 220, 240VAC 50/60 Hz  
Voltage Tolerance: +/- 10% Nominal  
Winding: Class H

**Connections:** Spades: Accordance with DIN Style "A" EN175301-803  
Flying Lead: PVC, 18 AWG or 22 AWG, Multi-Strand  
Copper Wire, 300V, 12" minimum length

**Packaged Weight:** 0.50 lbs.

DIRECT  
ACTING

## How To Order



Order Example: 6100-1B001-AAA2A  
FKM, 0.8mm orifice, Brass, Stainless Steel,  
2-Way N.C., 1/8" NPT, 12 VDC, DIN Spade.