



Series SSDP

Electro-Fluidic Miniature Fixed Displacement Solenoid Pump

Technical Data

Function: 2-Way, 2-Position; Metering Diaphragm Solenoid Operated; Normally Closed

Fluidic Interface: 1/16" I.D. Tube Barb (2) or Manifold mount with #4-40x7-16" and standard O-rings (2)

Dispensing Volume: 37µl dispensed per shot ± 3µl. Self-Priming

Temp. Range: Fluid Max.: +60°C
Dry Range: Ambient +10° to +50°C

Response Time: up to 6 Hz Complete Cycle

Media: Liquid chemicals, water (contact factory for compatibilities)

Environment Protection: IP65 (IEC 144), NEMA 4
Dust-tight and water resistant (with electrical connector)

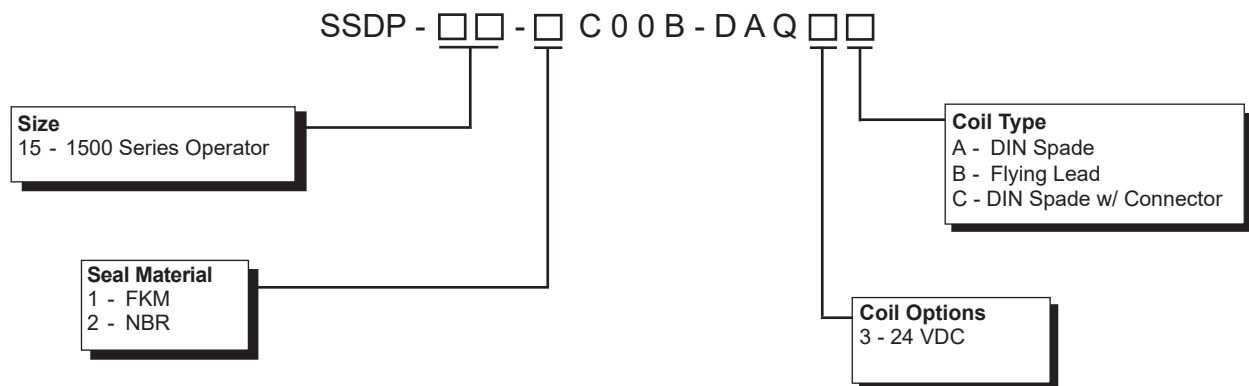
Wetted Materials: Elastomers: FKM, NBR (other materials available on request)
Valve Body: Polycarbonate

Coil Data: Encapsulation: Glass-Filled Nylon
Insulation: Class F
Power Rating: 3.5 Watts
Voltage: 24 VDC (others available on request)
Voltage Tolerance: +/- 10% Nominal
Winding: Class H

Connections: Spades: Accordance with AMP 2.8x0.5; 9.4mm
Flying Lead: PVC 22 AWG, Multi-Strand Copper Wire, 300V, 15" minimum length

Packaged Weight: 0.11 lbs.

How To Order



Order Example: SSDP-15-1C00B-DAQ2A
1500 Series Operator, FKM,
12 VDC, DIN Spade