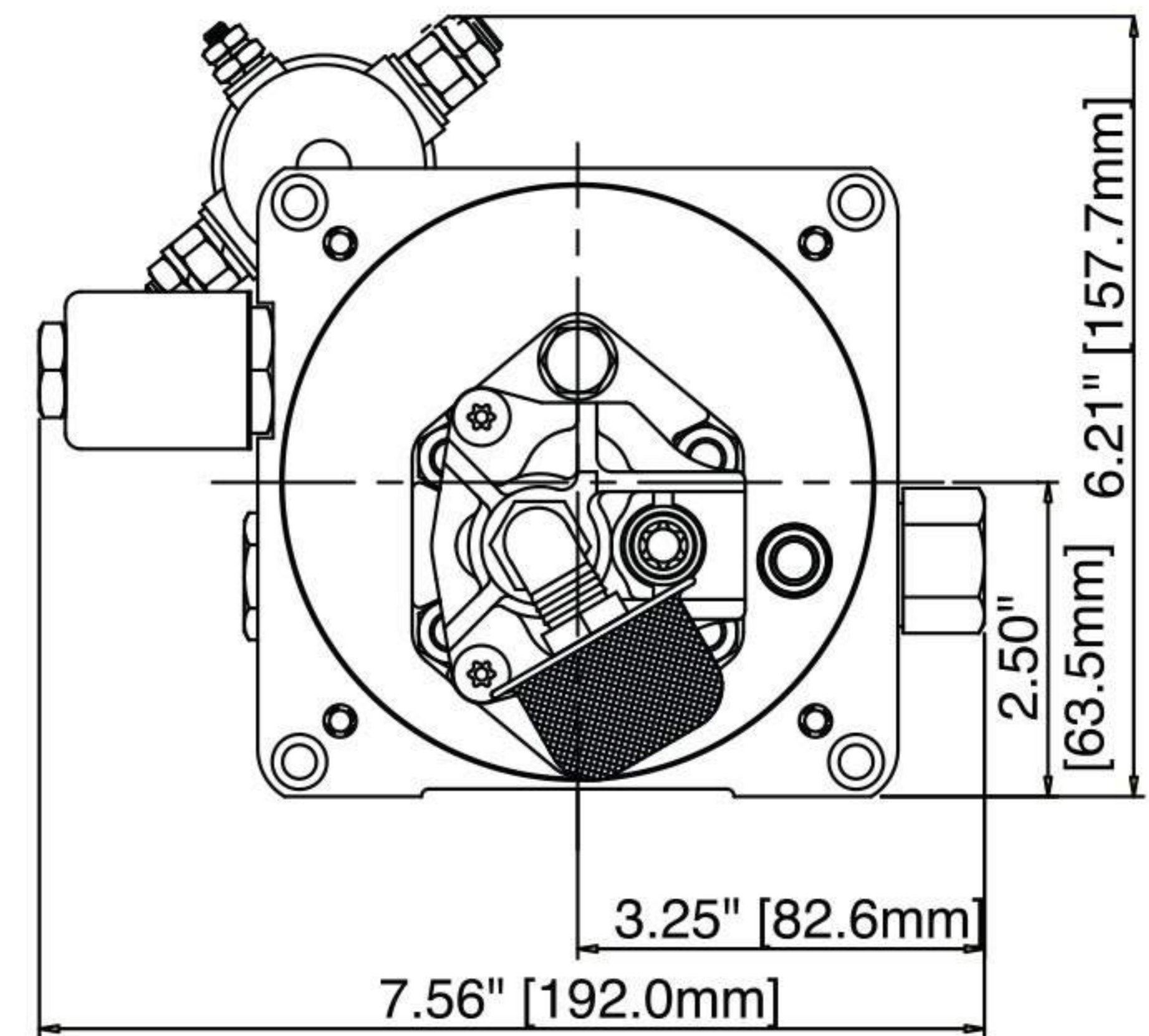
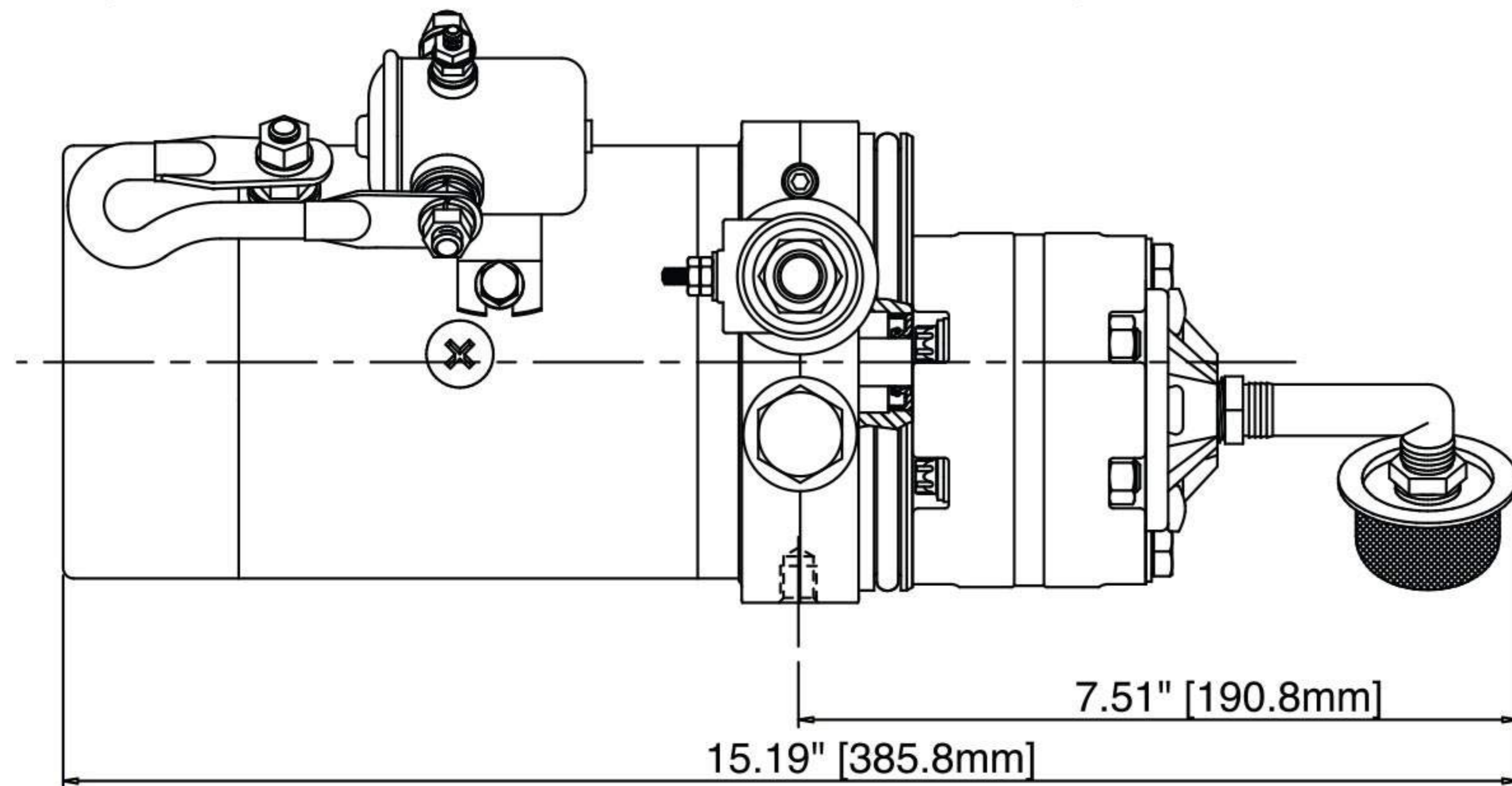
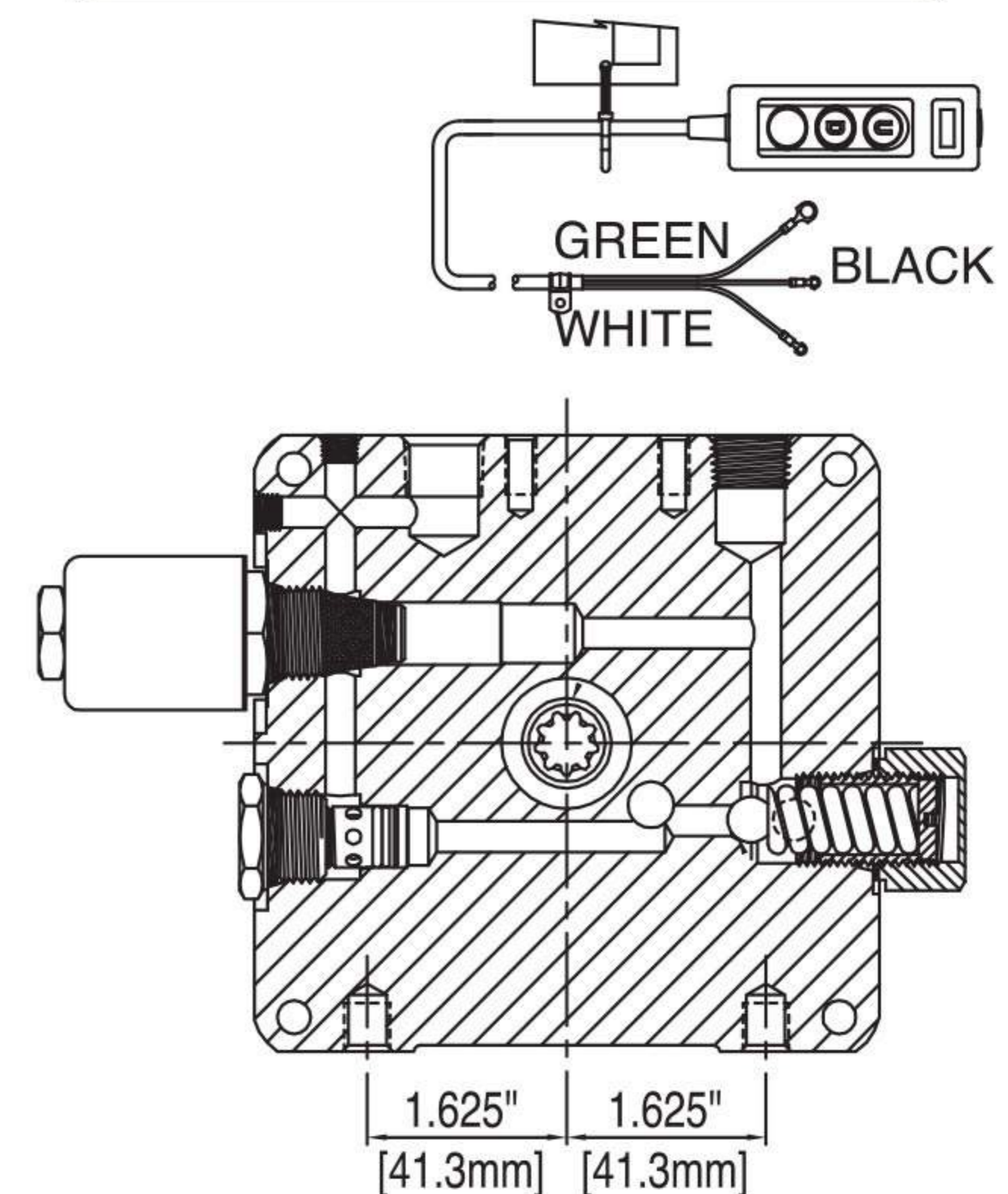


# 12V DC SOLENOID OPERATED POWER UP/GRAVITY DOWN

This unit is for power up-hold-gravity down applications. The remote controller allows an operator to power up & gravity down the unit. In the off position, the unit holds steady. The unit features an adjustable relief valve, cartridge hold & lower valves, allowing for easy field service & interchangeability. A pressure compensated flow control for lower function is optional.



UNIT SPECIFICATION		HYDRAULIC CIRCUIT
Motor	12V DC 1 Terminal Std. Duty Corrosion Resistant Plate Finish	
Pump	AFC 2.0 CC/Rev. (.122 Cu. In/Rev.)	
Relief	Adj. Set At 2500 PSI (172.4 Bar)	
Endhead (KN11*)	3/8 NPTF Pressure-ReturnPort (2) 3/8-16 X .38 Deep Mtg. Hole	
Tank	None	
Valving	Check Valve/12V DC Solenoid- Operated NC Valve	
Wiring	12V DC To Start Switch & To N.C. Valve Solenoid	



ENDHEAD SECTION

DC-20SF	ITEM	DESCRIPTION	P/N	QTY.
	1	Solenoid Starter 12V	KS1P	1
	2	DC Motor 12V	KMD1	1
	3	Valve NC 12V DC	VF-4009	1
	4	Valve Cartridge Check	2507-AA	1
	5	Reservoir O-Ring	G1-1073-48	1
	6	Coupling	1118-AA	1
	7	Pump O-Ring Kit	K-40	1
	8	Inlet Plumbing Kit	KH	1
	9	Filter	1611-AA	1
	10	Pump Assembly	KP20	1
	11	Pump Mounting Bolt	F1-1053-00	2
	12	Adj. Relief Valve Assy.	RV-2	1
	13	Motor Brush Kit	K-90	1
	14	Electric Switchbox	KG11	1
	15	Solenoid Coil 12V DC	EF-1082	1

\* Substitute KN10 for metric