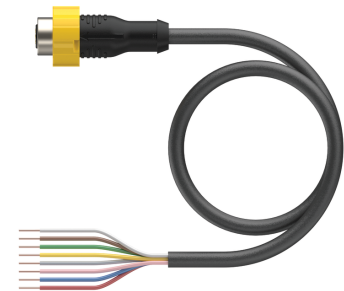
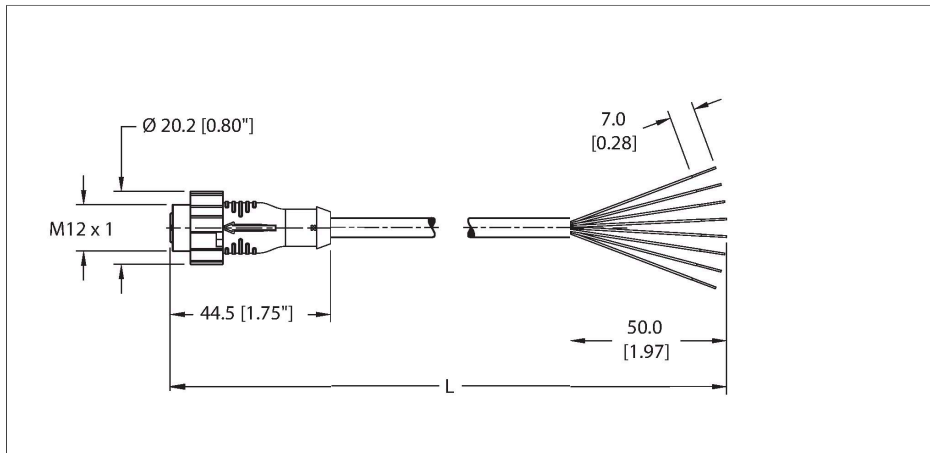


# EKRT-A8.800-GC4K-x

## Actuator and Sensor Cordset – Connection Cable



### Technical data

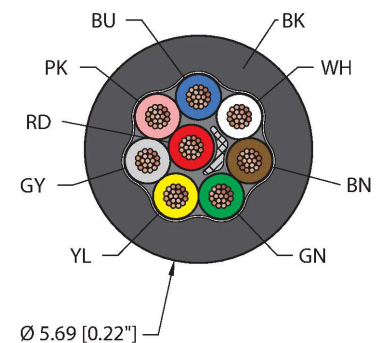
|                                 |   |
|---------------------------------|---|
| Type                            | EKRT-A8.800-GC4K-x  |
| ID                              | 777045878   |
| Replaces                        | RK 8T-x   |
| Connector A                     | Female, M12 × 1, Straight, A-code                         |
| Design specification            | Acc. to IEC 61076-2-101                                   |
| Number of contacts              | 8   |
| Contacts                        | Bronze, CuSn, Gold-plated                                 |
| Contact carriers                | Plastic, TPU, Black                                       |
| Connector body                  | Plastic, TPU, Black                                       |
| Coupling nut                    | Brass, CuZn, Nickel-plated                                |
| Connector seal                  | O-ring, Plastic, FKM/FPM                                  |
| Torque sleeve                   | Plastic, PA, Yellow                                       |
| Tightening torque (range)       | 0.4 ... 1.8 Nm<br>(note max. torque of mating connector!) |
| Mechanical life                 | > 100 Mating cycles                                       |
| Pollution degree                | 3   |
| Protection class (When coupled) | IP67, IP68, IP69, IP69K<br>NEMA: 1, 3, 4, 6P, 12          |
| <b>Cable data</b>               |   |
| Cable ID                        | RF51317   |
| Total number of conductors      | 8   |
| Cable diameter                  | Ø 5.69 mm   |
| Cable jacket                    | PVC, Black  |
| Conductor diameter              | 0.044 "   |
| Conductor material              | TC (tinned copper)  |

### Features



- M12, Female, Straight, 8-pin, Torque sleeve
- General Purpose Cable
- Black PVC jacket, 8X24 AWG
- -40 Cold Bend Rating
- Flame Ratings: UL1061, CSA FT1

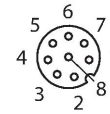
### Cable cross section



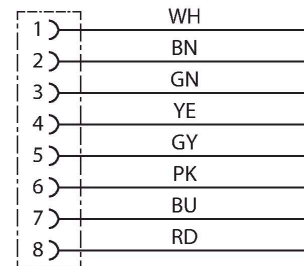
### Contact assignment

EKRT-A8.800-GC4K-x | 05/10/2022 12:59 | technical changes reserved

Connector A



Circuit Diagram



## Technical data

|   |  |
|---|--|
| Conductor insulation material             | PVC  |
| Conductor size                            | 8 x 24 AWG [Similar to 0.25 mm <sup>2</sup> ]  |
| Number of strands x O.D.                  | 19 x 36 AWG  |
| Conductor colors                          | WH, BN, GN, YE, GY, PK, BU, RD   |
| <b>Electrical properties at +20 °C</b>    |  |
| Rated voltage                             | 75 V   |
| Current                                   | 2 A  |
| <b>Mechanical and chemical properties</b> |  |
| Bending radius (static)                   | ≥ 5 x Ø  |
| Bending radius (dynamic)                  | ≥ 10 x Ø   |
| UL cold bend rating                       | -40 °C   |
| Ambient temperature range (static)        | -40 °C...+105 °C   |
| Ambient temperature range (dynamic)       | 5 °C...+105 °C   |
| Temperature range (installation)          | -10 °C...+105 °C   |
| <b>Approval</b>                           |  |
| Approvals                                 | CE<br>UKCA<br>RoHS   |
| <b>Note</b>                               |  |
|   | - Flex ratings may be reduced if used in extreme temperatures, exposure to certain chemicals, operating above the rated cycle speed, or operating below the rated cable bend radius. |
|   | - The torque sleeve can be removed, before or after installation by inserting a small flat screwdriver near the relief by the arrow and prying.                                      |
|   | - We reserve the right to make technical alterations without prior notice.   |

## Accessories

### M12-TORQUE-SLEEVE,YELLOW(10PACK)

A900167



10 Pack of Yellow Torque Sleeves for the new M12 cordsets. Compatible with male, female, straight and right-angled, stainless steel and nickel-plated brass coupling nuts.

### TORQUE-WRENCH-SET-M12/SW13

A900152



Adjustable torque driver to connect to the 13mm hex. Compatible with redesigned M12 cordsets, M12 Power, and M12 X-code. NOT Compatible with legacy M12 cordsets. Includes (1) adjustable torque driver, (1) adjustment tool, and (1) 13mm forked bit.

## Accessories

**M12-CORDSETS-MOUNTING-CLIP-(10/BAG)****100016882**

10 Pack of black mounting clips and M4x8mm mounting screws, used to secure cable to cable connection points.