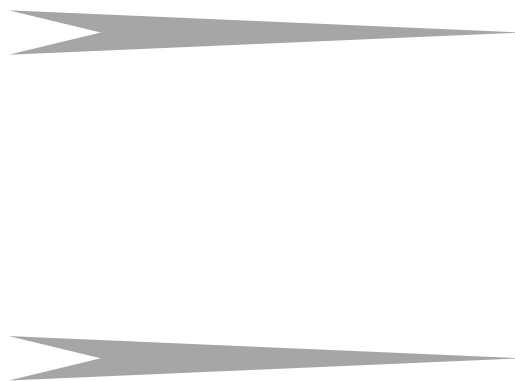
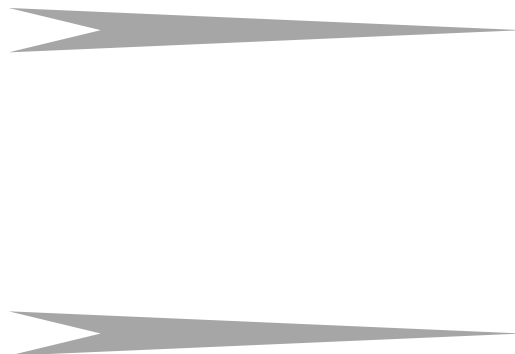
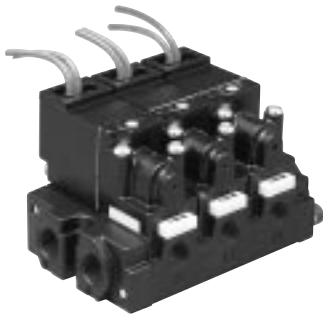
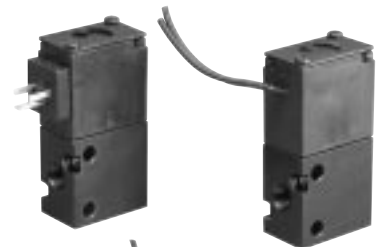
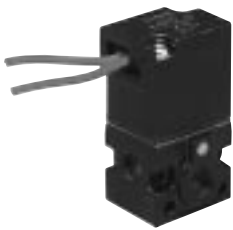




Pneumatic Division North America  
Richland, Michigan 49083

VAL-SIF-113  
Discontinued "BL" Series,  
Cross-Reference to  
MicroKing Series  
ISSUED: April, 2000

# Discontinued "BL" Series, Cross-Reference to MicroKing Series



BL Series

MicroKing Series

# BL Valve will be discontinued December 31, 2000

**General Notes:**

Parker "BL" Valve is the same as the Schrader Bellows "CS" Valve.

**BL Stacking Valves 3-Way - "BL1AS" and "BL1BS"** - are crossed over to MicroKing Inline Valves - "MKH" - and should use IEM Bar Manifold "PSMKNXN##NP"

**BL Manifold Valves 3-Way - "BL1A1", "BL1AV", "BL1B1", and "BL1BV"** - are crossed over to MicroKing Subbase Valves - "MKVV" and "MKWV" - and should use 5-Port Subbase Bar Manifold "PSFKN1N##NP"

**BL Manifold Valves 2-Way - "BL1C1", "BL1CV", "BL1D1", and "BL1DV"** - are crossed over to MicroKing Inline Valves - "MKH" - and should use IEM Bar Manifold "PSMKNXN##NP" with Valve Port #1 (NO) or Valve Port #3 (NC) plugged with 1/8" pipe plug

**BL Inline Universal Valve - "BLHM"** - are crossed over to MicroKing Inline Valve - "MKH".

**Notes:**

- ① BL Valve is Lighted. Use PS2946\*\*\*P Lighted Connector for MicroKing
- ② BL Valve is 1/4" Ported. MicroKing is 1/8" Ported, look at the 1/4" tube port option.
- ③ BL Valve is a 2-Way NC Function. Insert 1/8" Pipe Plug in Port #3 of Inline MicroKing before mounting on IEM Manifold
- ④ BL Valve is a 2-Way NO Function. Insert 1/8" Pipe Plug in Port #1 of Inline MicroKing before mounting on IEM Manifold
- ⑤ BL Valve '49' Voltage Code is 24VDC and 24VAC. MicroKing uses '49' for 24VDC and '42' for 24VAC - check with customer before interchanging.

**Overrides Model Number Comparison**

MicroKing	BL Series
<b>B = Non-Locking Flush</b>	B .... A No Override
	B .... B Flush, Non-Locking
	C .... C Flush, Locking
	D .... D Extended, Non-Locking
<b>C = Locking Flush</b>	E Extended, Locking
	F No Override / Lights
	G Flush, Non-Locking / Lights
	H Flush, Locking / Lights
B .... J Extended, Non-Locking / Lights	
C .... K Extended, Locking / Lights	

**Wattage Comparison**

Code	Voltage	MicroKing	BL Series
42	24VAC	5.4VA	6.5W
45	12VDC	4.8W	8.0W
47	12VDC	4.3W	—
48	24VDC	4.9W	—
49	24VDC	4.9W	7.2W
53	120VAC	5.4VA	6.7W
57	240VAC	6.0VA	7.8W

**Enclosures Model Number Comparison**

MicroKing	BL Series
<b>5 = 15mm 3-Pin DIN 43650C</b>	5 .... A 3-Pin 30mm Square – ISO 4400 DIN 43650A (Male Only)
	5 .... B 3-Pin 22mm Rectangular – Type B Industrial (Male Only)
	5 .... C 3-Pin Brad Harrison - Mini
	5 .... D 5-Pin Brad Harrison - Mini
<b>G = 24" Flying Leads</b>	G .... G Grommet - 18" Leads
	G .... H 1/2" NPT Conduit - 18" Leads
	G .... J 1/2" NPT Conduit - w/ Wiring Box - 18" Leads
	G .... K Same as H w/ Ground Wire
	G .... L Same as J w/ Ground Wire
	G .... M Common Conduit - 18" Leads
	G .... Q Grommet - 72" Leads
	G .... R 1/2" NPT Conduit - 72" Leads
	G .... S 1/2" NPT Conduit - w/ Wiring Box - 72" Leads
	G .... T Same as R w/ Ground Wire
	G .... U Same as S w/ Ground Wire
G .... V Common Conduit - 72" Leads	

**Response Time Comparison**

12VDC	0 Cu. In. Test Chamber		12 Cu. In. Test Chamber	
	Fill	Exhaust	Fill	Exhaust
<b>MicroKing</b>	.023	.021	.383	.463
<b>BL Series</b>	.021	.026	.307	.507

**Cv Comparison**

Series	Size	Inline	Stacking	Manifold
<b>MicroKing</b>	1/8"	.19	—	.15
<b>BL Series</b>	1/8"	.15	.16	.16
<b>BL Series</b>	1/4"	.18	.17	—

"BL" Series	MicroKing Functional Replacement	Notes	"BL" Series	MicroKing Functional Replacement	Notes
BL1A111NBB4900A	MKVVB549A	⑤	BL1A213NCB5300A	MKVVNC553A	
BL1A113NAG5300A	MKVVBG53A		BL1AS11NBA4900A	MKH5NB549A	⑤
BL1A113NBB4500A	MKVVB545A		BL1AS13NAA5300A	MKH0NB553A	
BL1A113NBB4900A	MKVVB549A	⑤	BL1AS13NAB4900A	MKH0NB549A	⑤
BL1A113NBB5300A	MKVVB553A		BL1AS13NAB5300A	MKH0NB553A	
BL1A113NBG4500A	MKVVBG45A		BL1AS13NAV4900A	MKH0NBG49A	⑤
BL1A113NBG4900A	MKVVBG49A	⑤	BL1AS13NBA4900A	MKH0NB549A	⑤
BL1A113NBG5300A	MKVVBG53A		BL1AS13NBA5300A	MKH0NB553A	
BL1A113NBH5300A	MKVVBG53A		BL1AS13NBB4500A	MKH0NB545A	
BL1A113NBM4500A	MKVVBG45A		BL1AS13NBB4900A	MKH0NB549A	⑤
BL1A113NBM4900A	MKVVBG49A	⑤	BL1AS13NBB5300A	MKH0NB553A	
BL1A113NBM5300A	MKVVBG53A		BL1AS13NBC5300A	MKH0NB553A	
BL1A113NBQ5300A	MKVVBG53A		BL1AS13NBG4500A	MKH0NBG45A	
BL1A113NBV4900A	MKVVBG49A	⑤	BL1AS13NBG4900A	MKH0NBG49A	⑤
BL1A113NBV5300A	MKVVBG53A		BL1AS13NBG4902A	MKH0NBG49A	⑤
BL1A113NCB4900A	MKVVNC549A	⑤	BL1AS13NBG5300A	MKH0NBG53A	
BL1A113NCB5300A	MKVVNC553A		BL1AS13NBG5700A	MKH0NBG57A	
BL1A113NCG4900A	MKVVNCG49A	⑤	BL1AS13NBH5300A	MKH0NBG53A	
BL1A113NCG5300A	MKVVNCG53A		BL1AS13NBM4500A	MKH0NBG45A	
BL1A113NDB4500A	MKVVB545A		BL1AS13NBM5300A	MKH0NBG53A	
BL1A113NDG4900A	MKVVBG49A	⑤	BL1AS13NBQ4500A	MKH0NBG45A	
BL1A113NDM4900A	MKVVBG49A	⑤	BL1AS13NCB5300A	MKH0NC553A	
BL1A113NEB4900A	MKVVNC549A	⑤	BL1AS13NEB5300A	MKH0NC553A	
BL1A113NEB5300A	MKVVNC553A		BL1AS13NEG5700A	MKH0NCG57A	
BL1A113NEG4500A	MKVVNCG45A		BL1AS13NEQ5300A	MKH0NCG53A	
BL1A113NEG4900A	MKVVNCG49A	⑤	BL1AS13NGB5300A	MKH0NB553A	①
BL1A113NEG5300A	MKVVNCG53A		BL1AS13NGG5300A	MKH0NBG53A	①
BL1A113NEG5700A	MKVVNCG57A		BL1AS13NGH4900A	MKH0NBG49A	① ⑤
BL1A113NEV4900A	MKVVNCG49A	⑤	BL1AS13NGJ5300A	MKH0NBG53A	①
BL1A113NGB4900A	MKVVB549A	① ⑤	BL1AS13NHB4900A	MKH0NC549A	① ⑤
BL1A113NGB5300A	MKVVB553A	①	BL1AS13NHM5300A	MKH0NCG53A	①
BL1A113NGG5300A	MKVVBG53A	①	BL1AS13NJB4900A	MKH0NB549A	① ⑤
BL1A113NGH5300A	MKVVBG53A	①	BL1AS13NJQ5300A	MKH0NBG53A	①
BL1A113NHB4900A	MKVVNC549A	① ⑤	BL1AS13NKA5300A	MKH0NC553A	①
BL1A113NHB5300A	MKVVNC553A	①	BL1AS23NAA5300A	MKH0NB553A	②
BL1A113NHM5300A	MKVVNCG53A	①	BL1AS23NAB4500A	MKH0NB545A	②
BL1A113NJB4900A	MKVVB549A	① ⑤	BL1AS23NAB4900A	MKH0NB549A	② ⑤
BL1A113NJB5300A	MKVVB553A	①	BL1AS23NAL5300A	MKH0NBG53A	②
BL1A113NJM5300A	MKVVBG53A	①	BL1AS23NBA4900A	MKH0NB549A	② ⑤
BL1A113NKB5300A	MKVVNC553A	①	BL1AS23NBA5300A	MKH0NB553A	②
BL1A113NKG5300A	MKVVNCG53A	①	BL1AS23NBB4900A	MKH0NB549A	② ⑤
BL1A213NBB5300A	MKVVB553A		BL1AS23NBB5300A	MKH0NB553A	②

(Continued on next page.)

"BL" Series	MicroKing Functional Replacement	Notes	"BL" Series	MicroKing Functional Replacement	Notes
BL1AS23NBB5700A	MKHONB557A	②	BL1AVXXNKB5300A	MKVVNC553A	①
BL1AS23NBG4500A	MKHONBG45A	②	BL1AVXXNKG5300A	MKVVNCG53A	①
BL1AS23NBG4900A	MKHONBG49A	② ⑤	BL1B113NBB4900A	MKWVNB549A	⑤
BL1AS23NBG5300A	MKHONBG53A	②	BL1B113NBB5300A	MKWVNB553A	
BL1AS23NBG5700A	MKHONBG57A	②	BL1B113NBG4500A	MKWVNBG45A	
BL1AS23NBH4500A	MKHONBG45A	②	BL1B113NBG4900A	MKWVNBG49A	⑤
BL1AS23NBH4900A	MKHONBG49A	② ⑤	BL1B113NBG5300A	MKWVNBG53A	
BL1AS23NBH5300A	MKHONBG53A	②	BL1B113NBM5300A	MKWVNBG53A	
BL1AS23NBL4900A	MKHONBG49A	② ⑤	BL1B113NEB4900A	MKWVNC549A	⑤
BL1AS23NBM4500A	MKHONBG45A	②	BL1B113NGG5300A	MKWVNBG53A	①
BL1AS23NBM4900A	MKHONBG49A	② ⑤	BL1B113NHM5300A	MKWVNCG53A	①
BL1AS23NBM5300A	MKHONBG53A	②	BL1B113NVJ5300A	MKWVNBG53A	①
BL1AS23NGB4900A	MKHONB549A	① ② ⑤	BL1B113NKB5300A	MKWVNC553A	①
BL1AS23NGB5300A	MKHONB553A	① ②	BL1B213NBG4900A	MKWVNBG49A	⑤
BL1AS23NGG5300A	MKHONBG53A	① ②	BL1BS13NBB4900A	MKHONB549A	⑤
BL1AS23NGM4900A	MKHONBG49A	① ② ⑤	BL1BS13NBB4902A	MKHONB549A	⑤
BL1AS23NGM5300A	MKHONBG53A	① ②	BL1BS13NBG4500A	MKHONBG45A	
BL1AS23NGV4900A	MKHONBG49A	① ② ⑤	BL1BS13NBH4900A	MKHONBG49A	⑤
BL1AS23NGV5300A	MKHONBG53A	① ②	BL1BS23NAB5300A	MKHONB553A	②
BL1AS23NHB4900A	MKHONC549A	① ② ⑤	BL1BS23NAG4900A	MKHONBG49A	② ⑤
BL1AS23NJB5300A	MKHONBG53A	① ②	BL1BS23NAH5300A	MKHONBG53A	②
BL1AS23NKG5300A	MKHONCG53A	① ②	BL1BS23NBB4500A	MKHONB545A	②
BL1AT13NCG5300A	MKHONCG53A		BL1BS23NBG5300A	MKHONBG53A	②
BL1AT13NEG5700A	MKHONCG57A		BL1BS23NBH5300A	MKHONBG53A	②
BL1AT23NBA5300A	MKHONB553A	②	BL1BS23NCB4900A	MKHONC549A	② ⑤
BL1AT23NBH5300A	MKHONBG53A	②	BL1BS23NCH5300A	MKHONCG53A	②
BL1AT23NBM5300A	MKHONBG53A	②	BL1BS23NGM5300A	MKHONBG53A	① ②
BL1AVXXNAG4900A	MKVVNBG49A	⑤	BL1BT23NBH5300A	MKHONBG53A	②
BL1AVXXNBA4900A	MKVVNB549A	⑤	BL1BVXXNDG4500A	MKWVNBG45A	
BL1AVXXNBB4900A	MKVVNB549A	⑤	BL1BVXXNGG5300A	MKWVNBG53A	①
BL1AVXXNBB5300A	MKVVNB553A		BL1BVXXNJB4500A	MKWVNBG45A	①
BL1AVXXNBB5700A	MKVVNB557A		BL1C113NBB5300A	MKHONB553A	③
BL1AVXXNBG4500A	MKVVNBG45A		BL1C113NBG5300A	MKHONBG53A	③
BL1AVXXNBG4900A	MKVVNBG49A	⑤	BL1C113NEB4900A	MKHONC549A	③ ⑤
BL1AVXXNBG5300A	MKVVNBG53A		BL1C113NGH5300A	MKHONBG53A	① ③
BL1AVXXNDB5300A	MKVVNB553A		BL1C113NKG5300A	MKHONCG53A	① ③
BL1AVXXNDG4500A	MKVVNBG45A		BL1CS13NBA4900A	MKHONB549A	③ ⑤
BL1AVXXNEB4900A	MKVVNC549A	⑤	BL1CS13NBG4500A	MKHONBG45A	③
BL1AVXXNGG5300A	MKVVNBG53A	①	BL1CS13NBG4900A	MKHONBG49A	③ ⑤
BL1AVXXNHB4900A	MKVVNC549A	① ⑤	BL1CS23NBB5300A	MKHONB553A	② ③
BL1AVXXNHG5300A	MKVVNCG53A	①	BL1CVXXNBB5300A	MKHONB553A	③
BL1AVXXNJB4500A	MKVVNBG45A	①	BL1CVXXNBG5300A	MKHONBG53A	③

(Continued on next page.)

"BL" Series	MicroKing Functional Replacement	Notes	"BL" Series	MicroKing Functional Replacement	Notes
BL1CVXXNBV5300A	MKH0NBG53A	③	BL1HM13NCA5300A	MKH0NC553A	
BL1CVXXNEB4900A	MKH0NC549A	③ ⑤	BL1HM13NCB4900A	MKH0NC549A	⑤
BL1CVXXNJG4500A	MKH0NBG45A	① ③	BL1HM13NCB5300A	MKH0NC553A	
BL1D113NBG4900A	MKH0NBG49A	④ ⑤	BL1HM13NCC5300A	MKH0NC553A	
BL1HM11NAB4900A	MKH5NB549A	⑤	BL1HM13NCG5300A	MKH0NCG53A	
BL1HM11NBA4900A	MKH5NB549A	⑤	BL1HM13NCJ5300A	MKH0NCG53A	
BL1HM11NBG4900A	MKH5NBG49A	⑤	BL1HM13NDG5700A	MKH0NBG57A	
BL1HM11NBH4900A	MKH5NBG49A	⑤	BL1HM13NDH5300A	MKH0NBG53A	
BL1HM13NAA4900A	MKH0NB549A	⑤	BL1HM13NEA5300A	MKH0NC553A	
BL1HM13NAA5300A	MKH0NB553A		BL1HM13NEB4900A	MKH0NC549A	⑤
BL1HM13NAB4900A	MKH0NB549A	⑤	BL1HM13NEB5300A	MKH0NC553A	
BL1HM13NAG4500A	MKH0NBG45A		BL1HM13NEB5700A	MKH0NC557A	
BL1HM13NAG4900A	MKH0NBG49A	⑤	BL1HM13NEG5300A	MKH0NCG53A	
BL1HM13NAG5300A	MKH0NBG53A		BL1HM13NEH4900A	MKH0NCG49A	⑤
BL1HM13NAH5300A	MKH0NBG53A		BL1HM13NER5300A	MKH0NCG53A	
BL1HM13NAK5300A	MKH0NBG53A		BL1HM13NFA4900A	MKH0NB549A	① ⑤
BL1HM13NAQ5300A	MKH0NBG53A		BL1HM13NFB4900A	MKH0NB549A	① ⑤
BL1HM13NBA4900A	MKH0NB549A	⑤	BL1HM13NFB5300A	MKH0NB553A	①
BL1HM13NBA5300A	MKH0NB553A		BL1HM13NFG4900A	MKH0NBG49A	① ⑤
BL1HM13NBA5700A	MKH0NB557A		BL1HM13NGA4900A	MKH0NB549A	① ⑤
BL1HM13NBB4500A	MKH0NB545A		BL1HM13NGA5300A	MKH0NB553A	①
BL1HM13NBB4900A	MKH0NB549A	⑤	BL1HM13NGB4900A	MKH0NB549A	① ⑤
BL1HM13NBB5300A	MKH0NB553A		BL1HM13NGB5300A	MKH0NB553A	①
BL1HM13NBB5700A	MKH0NB557A		BL1HM13NGG4900A	MKH0NBG49A	① ⑤
BL1HM13NBC5300A	MKH0NB553A		BL1HM13NGG5300A	MKH0NBG53A	①
BL1HM13NBG4500A	MKH0NBG45A		BL1HM13NGH4500A	MKH0NBG45A	①
BL1HM13NBG4900A	MKH0NBG49A	⑤	BL1HM13NGH4900A	MKH0NBG49A	① ⑤
BL1HM13NBG5300A	MKH0NBG53A		BL1HM13NGH5300A	MKH0NBG53A	①
BL1HM13NBG5700A	MKH0NBG57A		BL1HM13NGJ5300A	MKH0NBG53A	①
BL1HM13NBH4500A	MKH0NBG45A		BL1HM13NHB4900A	MKH0NC549A	① ⑤
BL1HM13NBH4900A	MKH0NBG49A	⑤	BL1HM13NHB5300A	MKH0NC553A	①
BL1HM13NBH5300A	MKH0NBG53A		BL1HM13NKG5300A	MKH0NCG53A	①
BL1HM13NBH5700A	MKH0NBG57A		BL1HM23NAA4900A	MKH0NB549A	② ⑤
BL1HM13NBHJ4500A	MKH0NBG45A		BL1HM23NAA5300A	MKH0NB553A	②
BL1HM13NBHJ4900A	MKH0NBG49A	⑤	BL1HM23NAB4900A	MKH0NB549A	② ⑤
BL1HM13NBHJ5300A	MKH0NBG53A		BL1HM23NAB5300A	MKH0NB553A	②
BL1HM13NBK5300A	MKH0NBG53A		BL1HM23NAG4900A	MKH0NBG49A	② ⑤
BL1HM13NBL5300A	MKH0NBG53A		BL1HM23NAG5300A	MKH0NBG53A	②
BL1HM13NBQ4900A	MKH0NBG49A	⑤	BL1HM23NAH4500A	MKH0NBG45A	②
BL1HM13NBR5300A	MKH0NBG53A		BL1HM23NAH4900A	MKH0NBG49A	② ⑤
BL1HM13NBT5300A	MKH0NBG53A		BL1HM23NAH5300A	MKH0NBG53A	②
BL1HM13NBT5700A	MKH0NBG57A		BL1HM23NAQ4500A	MKH0NBG45A	②

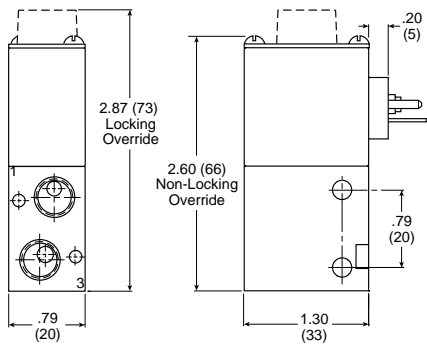
(Continued on next page.)

“BL” Series	MicroKing Functional Replacement	Notes	“BL” Series	MicroKing Functional Replacement	Notes
BL1HM23NAQ5300A	MKH0NBG53A	②	BL1HM23NDC4900A	MKH0NB549A	② ⑤
BL1HM23NAQ5700A	MKH0NBG57A	②	BL1HM23NDG4500A	MKH0NBG45A	②
BL1HM23NBA4500A	MKH0NB545A	②	BL1HM23NDG5300A	MKH0NBG53A	②
BL1HM23NBA4900A	MKH0NB549A	② ⑤	BL1HM23NDH4500A	MKH0NBG45A	②
BL1HM23NBA4902A	MKH0NB549A	② ⑤	BL1HM23NDH4900A	MKH0NBG49A	② ⑤
BL1HM23NBA5300A	MKH0NB553A	②	BL1HM23NDH5300A	MKH0NBG53A	②
BL1HM23NBB4500A	MKH0NB545A	②	BL1HM23NDH5700A	MKH0NBG57A	②
BL1HM23NBB4900A	MKH0NB549A	② ⑤	BL1HM23NEB4900A	MKH0NC549A	② ⑤
BL1HM23NBB5300A	MKH0NB553A	②	BL1HM23NEB5300A	MKH0NC553A	②
BL1HM23NBB5700A	MKH0NB557A	②	BL1HM23NEG4900A	MKH0NCG49A	② ⑤
BL1HM23NBC4900A	MKH0NB549A	② ⑤	BL1HM23NEG5300A	MKH0NCG53A	②
BL1HM23NBC5300A	MKH0NB553A	②	BL1HM23NEH5300A	MKH0NCG53A	②
BL1HM23NBG4500A	MKH0NBG45A	②	BL1HM23NEJ5300A	MKH0NCG53A	②
BL1HM23NBG4700A	MKH0NBG45A	②	BL1HM23NER5300A	MKH0NCG53A	②
BL1HM23NBG4900A	MKH0NBG49A	② ⑤	BL1HM23NER5700A	MKH0NCG57A	②
BL1HM23NBG5300A	MKH0NBG53A	②	BL1HM23NFH4900A	MKH0NBG49A	① ② ⑤
BL1HM23NBG5700A	MKH0NBG57A	②	BL1HM23NFH5300A	MKH0NBG53A	① ②
BL1HM23NBH4500A	MKH0NBG45A	②	BL1HM23NGA4900A	MKH0NB549A	① ② ⑤
BL1HM23NBH4900A	MKH0NBG49A	② ⑤	BL1HM23NGA5300A	MKH0NB553A	① ②
BL1HM23NBH5300A	MKH0NBG53A	②	BL1HM23NGB4900A	MKH0NB549A	① ② ⑤
BL1HM23NBH5700A	MKH0NBG57A	②	BL1HM23NGB5300A	MKH0NB553A	① ②
BL1HM23NBHJ4900A	MKH0NBG49A	② ⑤	BL1HM23NGD5300A	MKH0NB553A	① ②
BL1HM23NBHJ5300A	MKH0NBG53A	②	BL1HM23NGG5300A	MKH0NBG53A	① ②
BL1HM23NBK4500A	MKH0NBG45A	②	BL1HM23NGH4500A	MKH0NBG45A	① ②
BL1HM23NBK5300A	MKH0NBG53A	②	BL1HM23NGH4900A	MKH0NBG49A	① ② ⑤
BL1HM23NBQ5300A	MKH0NBG53A	②	BL1HM23NGH5300A	MKH0NBG53A	① ②
BL1HM23NBR5300A	MKH0NBG53A	②	BL1HM23NGJ4900A	MKH0NBG49A	① ② ⑤
BL1HM23NBT5300A	MKH0NBG53A	②	BL1HM23NGJ5300A	MKH0NBG53A	① ②
BL1HM23NBT5700A	MKH0NBG57A	②	BL1HM23NGQ4900A	MKH0NBG49A	① ② ⑤
BL1HM23NCA4900A	MKH0NC549A	② ⑤	BL1HM23NGS4900A	MKH0NBG49A	① ② ⑤
BL1HM23NCA5300A	MKH0NC553A	②	BL1HM23NHA4900A	MKH0NC549A	① ② ⑤
BL1HM23NCB4500A	MKH0NC545A	②	BL1HM23NHA5300A	MKH0NC553A	① ②
BL1HM23NCB5300A	MKH0NC553A	②	BL1HM23NHB4900A	MKH0NC549A	① ② ⑤
BL1HM23NCG4500A	MKH0NCG45A	②	BL1HM23NHC4900A	MKH0NC549A	① ② ⑤
BL1HM23NCG4900A	MKH0NCG49A	② ⑤	BL1HM23NHH5300A	MKH0NCG53A	① ②
BL1HM23NCG5300A	MKH0NCG53A	②	BL1HM23NHQ5300A	MKH0NCG53A	① ②
BL1HM23NCG5700A	MKH0NCG57A	②	BL1HM23NJC5300A	MKH0NB553A	① ②
BL1HM23NCH4500A	MKH0NCG45A	②	BL1HM23NJD5300A	MKH0NB553A	① ②
BL1HM23NCH4900A	MKH0NCG49A	② ⑤	BL1HM23NJG5300A	MKH0NBG53A	① ②
BL1HM23NCH5300A	MKH0NCG53A	②	BL1HM23NJJ5300A	MKH0NBG53A	① ②
BL1HM23NDA5300A	MKH0NB553A	②	BL1HM23NKB4900A	MKH0NC549A	① ② ⑤
BL1HM23NDB4900A	MKH0NB549A	② ⑤	BL1HM23NKH5300A	MKH0NCG53A	① ②
BL1HM23NDC4500A	MKH0NB545A	②			

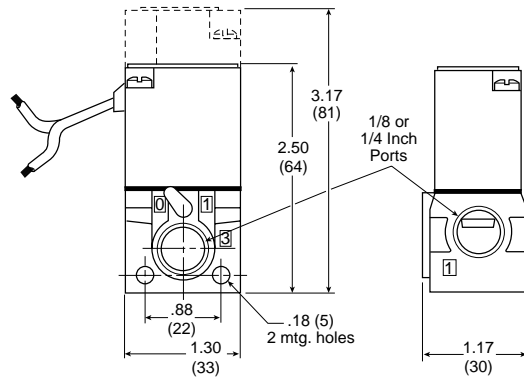
Dimension Comparison

INLINE

MicroKing Series

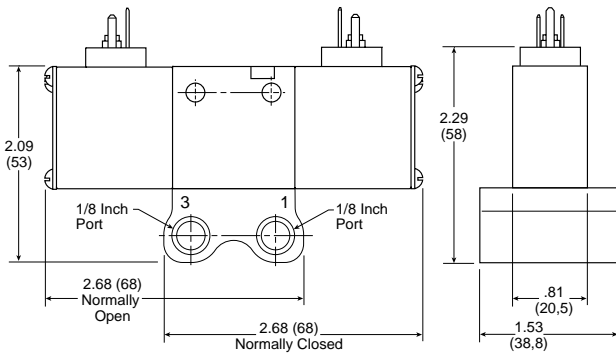


"BL" Series

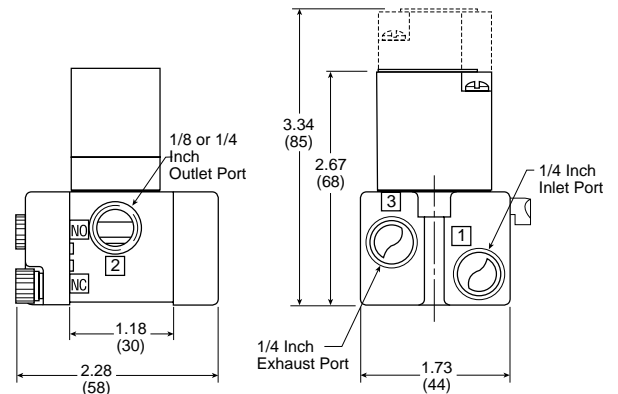


INLINE with IEM vs STACKING

MicroKing Series

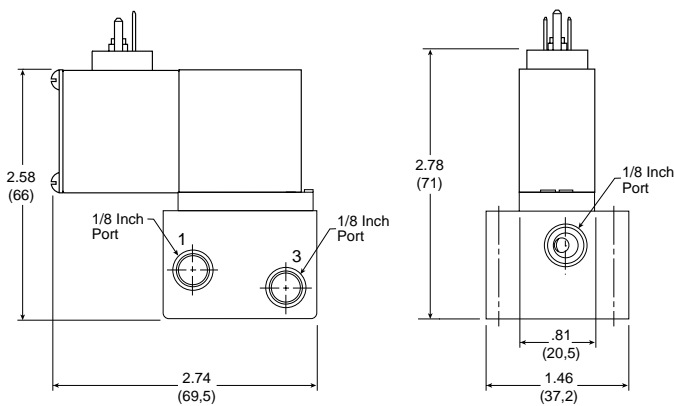


"BL" Series

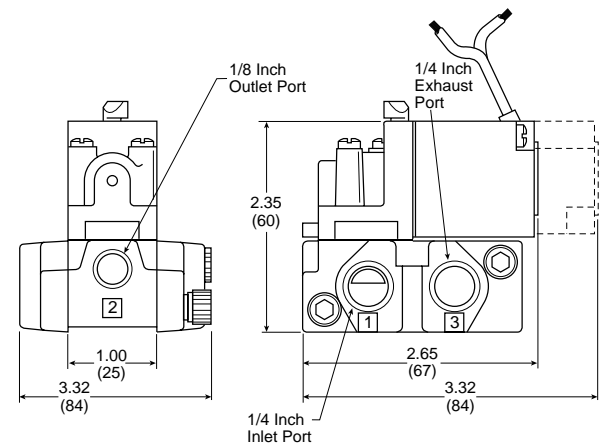


SUBBASE BAR MANIFOLD vs SEGMENTED MANIFOLD

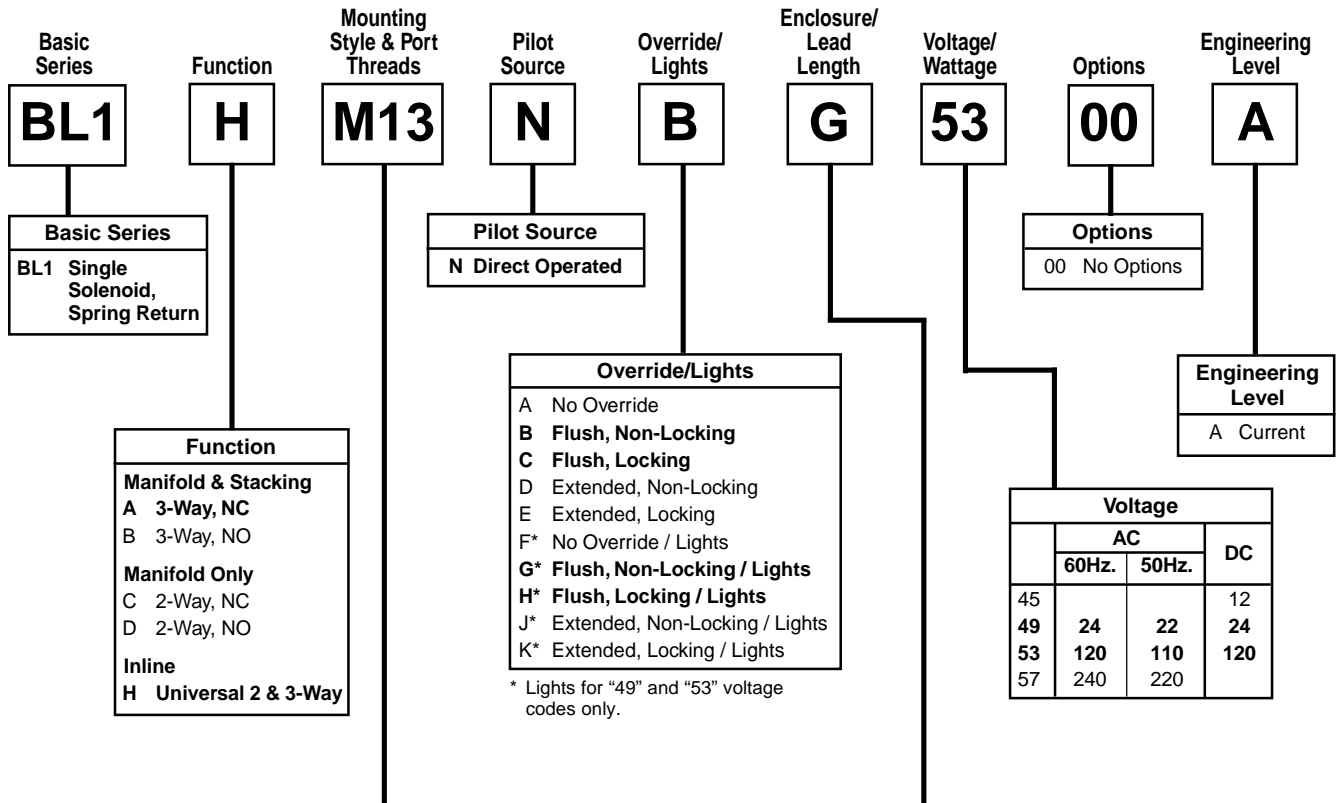
MicroKing Series



"BL" Series



**"BL" Series Model Number Index (BOLD OPTIONS ARE STANDARD)**



**Basic Series**  
BL1 Single Solenoid, Spring Return

**Function**  
**Manifold & Stacking**  
A 3-Way, NC  
B 3-Way, NO  
**Manifold Only**  
C 2-Way, NC  
D 2-Way, NO  
**Inline**  
H **Universal 2 & 3-Way**

**Pilot Source**  
N Direct Operated

**Override/Lights**  
A No Override  
B **Flush, Non-Locking**  
C **Flush, Locking**  
D Extended, Non-Locking  
E Extended, Locking  
F\* No Override / Lights  
G\* **Flush, Non-Locking / Lights**  
H\* **Flush, Locking / Lights**  
J\* Extended, Non-Locking / Lights  
K\* Extended, Locking / Lights

\* Lights for "49" and "53" voltage codes only.

**Options**  
00 No Options

	AC		DC
	60Hz.	50Hz.	
45			12
<b>49</b>	<b>24</b>	<b>22</b>	<b>24</b>
<b>53</b>	<b>120</b>	<b>110</b>	<b>120</b>
57	240	220	

**Engineering Level**  
A Current

Mounting Style & Port Threads	
<b>Inline</b>	
M13	1/8" NPT
M23	1/4" NPT
<b>Stacking</b>	
S13	1/8" NPT
S23	1/4" NPT
T13*	1/8" NPT - Isolated Ports
T23*	1/4" NPT - Isolated Ports
<b>Manifold</b>	
VXX	Valve Less Manifold
113	1/8" NPT
213**	1/8" NPT - Isolated Ports

Note: For BSPP "G" Ports replace "3" with a "1".

	Enclosures / Lead Length		
	Inline	Stacking	Manifold
A 3-Pin 30mm Square – ISO 4400 DIN 43650A (Male Only)	•	•	
B 3-Pin 22mm Rectangular – Type B Industrial (Male Only)	•	•	•
C 3-Pin Brad Harrison - Mini	•	•	
D 5-Pin Brad Harrison - Mini	•	•	
G <b>Grommet - 18" Leads</b>	•	•	•
H <b>1/2" NPT Conduit - 18" Leads</b>	•	•	
J 1/2" NPT Conduit - w/ Wiring Box - 18" Leads	•	•	
K Same as H w/ Ground Wire	•	•	
L Same as J w/ Ground Wire	•	•	
M Common Conduit - 18" Leads	•	•	•
Q Grommet - 72" Leads	•	•	•
R 1/2" NPT Conduit - 72" Leads	•	•	
S 1/2" NPT Conduit - w/ Wiring Box - 72" Leads	•	•	
T Same as R w/ Ground Wire	•	•	
U Same as S w/ Ground Wire	•	•	
V Common Conduit - 72" Leads		•	•



**Parker Hannifin Corporation**  
Pneumatic Division North America  
8676 E. M89  
P.O. Box 901  
Richland, MI 49083 USA  
Tel: (616) 629-5000  
Fax: (616) 629-5385

**Customer/Technical Service**  
Tel: (616) 629-5575  
Fax: (800) 648-5480  
Fax: (800) 426-3259  
Web site: [www.parker.com/pneumatic](http://www.parker.com/pneumatic)  
E-mail: [PDNMKTG@parker.com](mailto:PDNMKTG@parker.com)